

SUMITOMO

SH300-6

- Engine Rated Power (Net): 202 kW-274 PS
- Operating Weight:
 - SH300-6 29,300~31,300 kg
- Bucket: ISO/SAE/PCSA Heaped: 1.0~1.3 M³



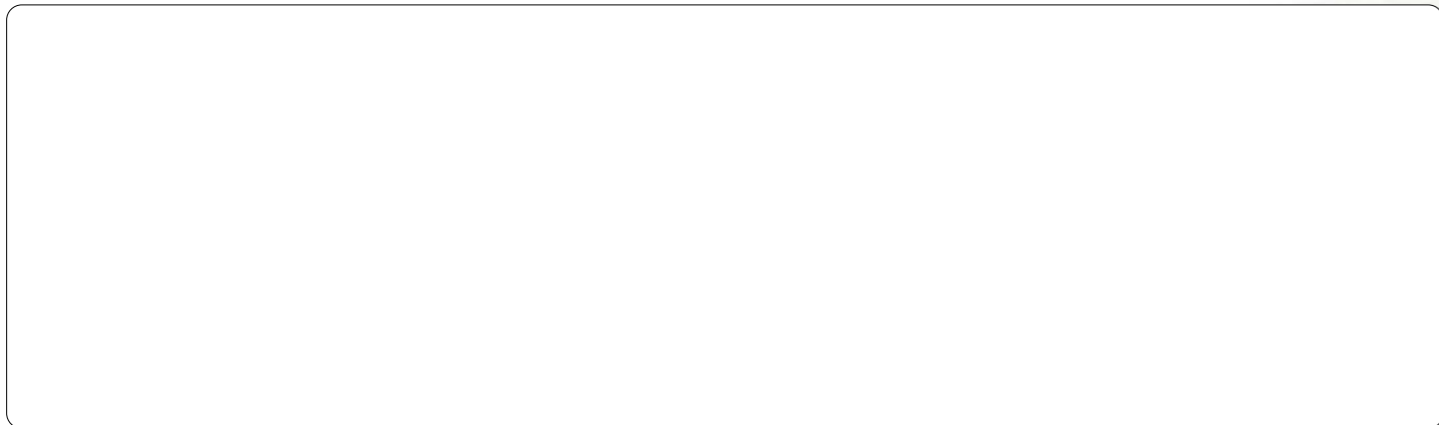
SUMITOMO



 **SUMITOMO (S.H.I.)
CONSTRUCTION MACHINERY CO., LTD.**

731-1 Naganumahara-cho, Inage-ku, Chiba, 263-0001 Japan
For further information please contact: Phone : +81-43-420-1829 Facsimile : +81-43-420-1907

We are constantly improving our products and therefore reserve the right to change designs and specifications without notice.
Illustrations may include optional equipment and accessories and may not include all standard equipment.



Performance Refined. Evolution Defined.



Engine and Hydraulics 04-07

- New Generation Engine System "SPACE 5+"
- New Hydraulic System "SIH:S+"
- SUMITOMO Fuel Efficiency Technology
- Drastically Increased Productivity

Durability and Maintenance 08-11

- High Rigidity Attachments
- EMS
- Ground Level Maintenance

Safety and Operator Comfort 12-17

- Stylish and Spacious Cabin
- High-Definition Full Colour LCD Monitor

Specifications 18-27

ENGINEERED IN JAPAN

The world knows that Japanese designed and engineered products represent the highest quality, especially for Industrial Products. The hydraulic excavator is no exception when a totally integrated concept is required in design work involving key components, manufacturing engineering, and product quality assurance in the factory. SUMITOMO hydraulic excavators are designed and manufactured today to meet the global demands of our many customers with the concept of Performance, Reliability, and Fuel Efficiency foremost in our minds. This proven Japanese technology and quality gives SUMITOMO excavator customers total peace of mind and provide a complete solution for the demands of the construction industry.



**Performance Refined.
Evolution Defined.**



New Engine System **SPACE 5+ PLUS** + New Hydraulic System **SIHIS PLUS** = **10% Reduction in Fuel Consumption**
(as compared with SH300-5 [H mode])

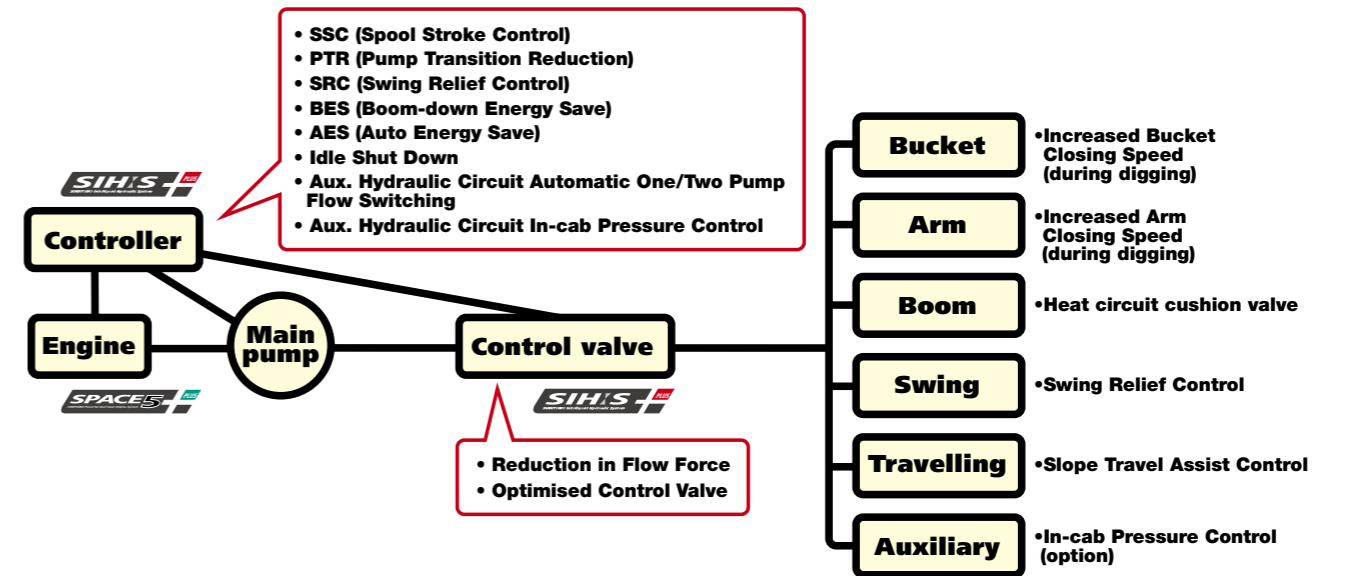
New Generation Engine System "SPACE 5+"

The new engine system optimises fuel efficiency and environmental performance via the advanced common rail fuel injection system, cooled EGR system, and turbocharger with W/G (Waste Gate). At the same time, excellent response times are achieved.



Engine and Hydraulics

SH300-6 has achieved a 10% fuel saving in comparison with our DASH 5 series, by fusing the new generation engine system "SPACE 5+" and the new hydraulic system "SIH:S+", further refining fuel efficiency. At the same time the newly developed ISUZU engine, contributes greatly to the environment.



Mode Selection by Throttle SUMITOMO UNIQUE DESIGN

There are three working modes available:
SP (Super Power) for heavy duty applications,
H (Heavy) for normal working conditions,
A (Auto) for a wide range of operations.



Further Improvement of Fuel Consumption

The new technology has improved operations and reduced fuel consumption on each working mode.

- H mode **10% Reduction in Fuel Consumption**
- A mode **5% Reduction in Fuel Consumption**
(as compared with SH300-5)

*Fuel consumption may vary from time to time depending on site and working conditions, operator skill and other circumstances.

ECO Gauge Showing Low Energy Operation

The energy saving conditions can be seen at a glance, as well as the fuel consumption indicator shown on the monitor.



SUMITOMO Technology for Fuel Efficiency

- **SSC (Spool Stroke Control)** SUMITOMO UNIQUE DESIGN
Reduces engine load upon heavy duty operation.
- **BES (Boom-down Energy Save)** SUMITOMO UNIQUE DESIGN
Lowers engine speed upon boom-down and swing operation which does not require large oil flow.
- **AES (Auto Energy Save)** SUMITOMO UNIQUE DESIGN
Lowers engine speed accordingly when low engine load is sensed.
- **PTR (Pump Transition Reduction)**
Decreases engine load when the pump flow requirement is reduced upon abrupt pump load.
- **Idle Shut Down & Auto Idle**

Upon activation, idle shut down automatically shuts the engine down when the machine is not in operation for set amount of time. Auto Idle is also available, which makes the engine begin idling approximately five seconds after the operation levers are in neutral position.





**Performance Refined.
Evolution Defined.**

Engine and Hydraulics



SUMITOMO's original technology Spool Stroke Control (SSC), perfectly matches the engine and hydraulic power, and further improves the operational speed whilst maintaining smooth control of the machine.

Work Efficiency Drastically Increased SUMITOMO UNIQUE DESIGN

Spool Stroke Control (SSC) variably controls spool port flow rate, depending on the condition of operation. Improved power, speed, and smoother controls mean that work efficiency is dramatically increased.

12% Faster Cycle Time (SP mode)

Speed increase by 12% in cycle time has been achieved, giving further advance in productivity (as compared with SH300-5 [SP mode]).

Real Digging Power

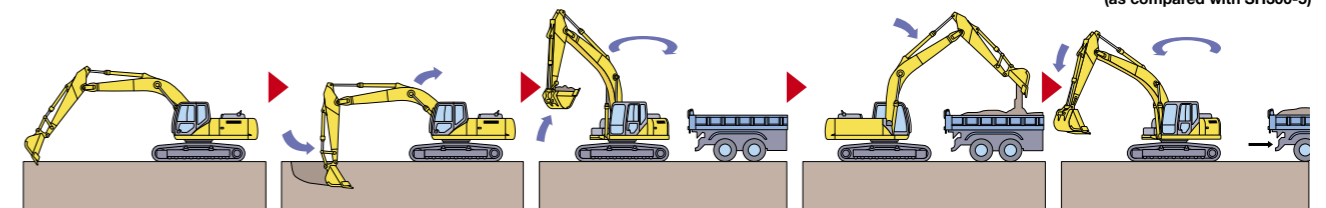
The true digging force can not be expressed by a maximum digging power figure listed in sales brochures. With an improved hydraulic system and with a large arm cylinder, the arm-in motion speed slowdown is minimised. The digging power when combined with the attachment speed in motion convert to the operator's "Real Digging Power".

Automatic Power Boost

The digging power increases automatically in quick response to the working conditions during heavy-duty digging work. This is a design unique to SUMITOMO, and continues for eight seconds (SP/H mode).

Speed and Power, Increases Productivity Drastically

• SP mode **12%** faster cycle time
 • H mode **10%** faster cycle time
 • A mode **15%** faster cycle time
(as compared with SH300-5)



*Based on SUMITOMO's testing condition and results.

Operating Condition Easily Viewable on Display

Various control such as working modes and auxiliary hydraulic setting can be easily selected by the universally designed switch panel, and what's being selected can be easily viewed on the 7" wide monitor.



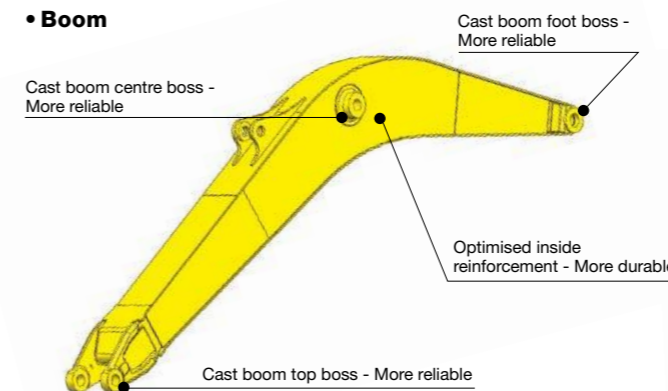


Durability and Maintenance

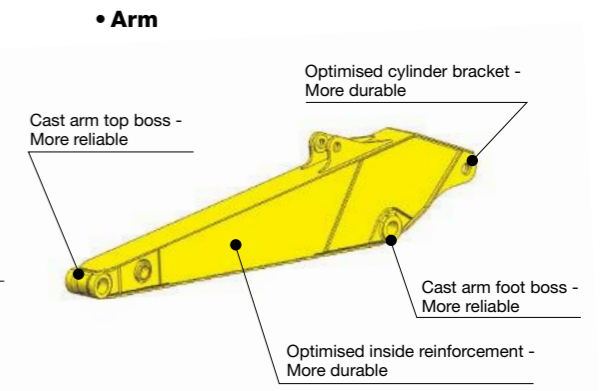
High Rigidity Attachments

The structure of the boom and arm has been further improved, ensuring strength and durability. In addition, high strength castings are used for the boom base and arm end, improving reliability.

• Boom



• Arm



EMS (Easy Maintenance System) as Standard

SUMITOMO's EMS keeps the pins and bushes fully lubricated at all times and prevents rattling. This system significantly extends the service life of the pins and bushes.

The lubrication interval around the bucket is 250 hours, and for the other sections is 1,000 hours, keeping the joints lubricated for a long time and extending the service life of parts by reducing abrasion and rattling.

• **Bucket greasing interval: 250 hours**

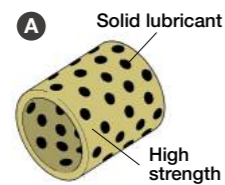
• **Greasing interval for other sections: 1,000 hours**

* The greasing interval depends on the working conditions.

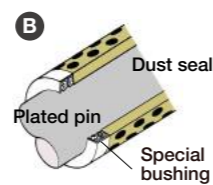


➡ Sections equipped with steel EMS bushing
➡ Sections equipped with EMS bushing

■ EMS bushing



A A solid lubricant embedded in high strength brass forms a layer on the bushing surface to prevent contact between metals, maintaining an excellent lubricated state to reduce abrasion of joints.



B The surface of the pin is plated to increase the surface hardness and improve the wear resistance accordingly.

■ Steel EMS bushing



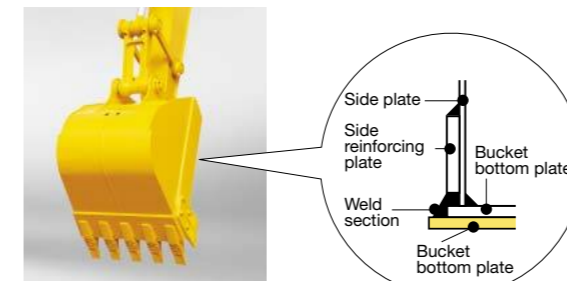
Steel EMS is installed around the bucket

Precautionary use of EMS

- ① Grease is enclosed, however greasing is necessary every 1000 hours or six months depending on the level of dusting conditions.
- ② Greasing is also necessary after any components have been submerged underwater for prolonged periods.
- ③ Greasing is also recommended after use with hydraulic breakers, crushers or other high impact attachments such as Rock Saws etc.
- ④ Bucket pins should be cleaned thoroughly when removing or attaching new buckets.

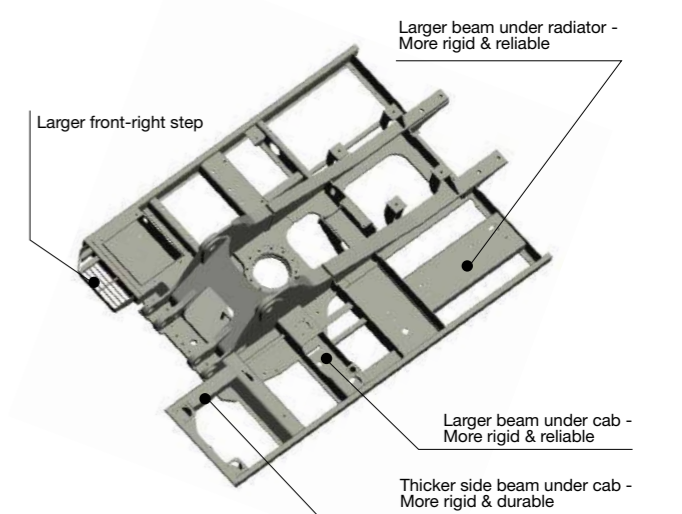
Bucket

A one-piece wear plate covers the weld section to increase the wear life of the bucket.



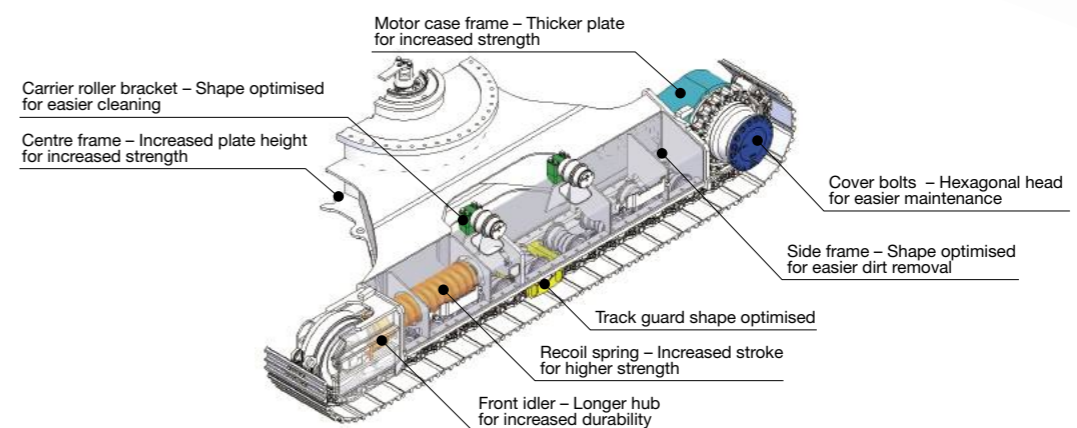
High Rigidity Swing Frame

The swing frame has been strengthened to support the new ROPS cabin, as well as to increase durability.



High Rigidity Undercarriage

For improved mobility, the track system has been strengthened ensuring longer wear life, performance, and improved reliability.





**Performance Refined.
Evolution Defined.**

Durability and Maintenance

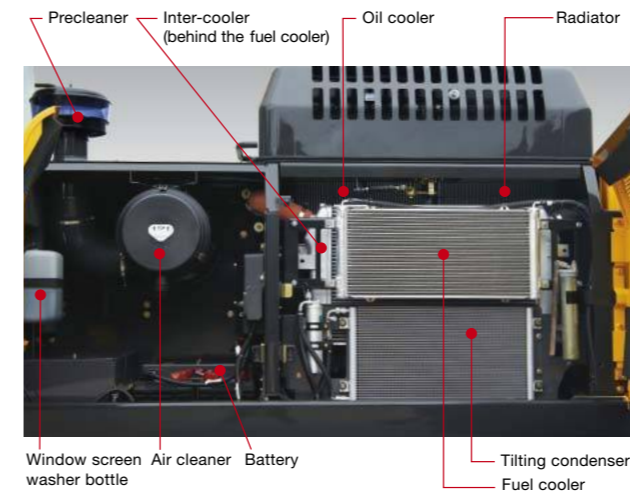
Serviceability and durability are also important points of machine performance. Ground level access to the engine area makes daily maintenance extremely straightforward. Reliability has been further enhanced by increasing cooling capability and durability.

Ground Level Access to Engine Area Improves Preventative Maintenance

Parts cleaning and maintenance are possible from the ground without climbing onto the upper structure of the excavator body.

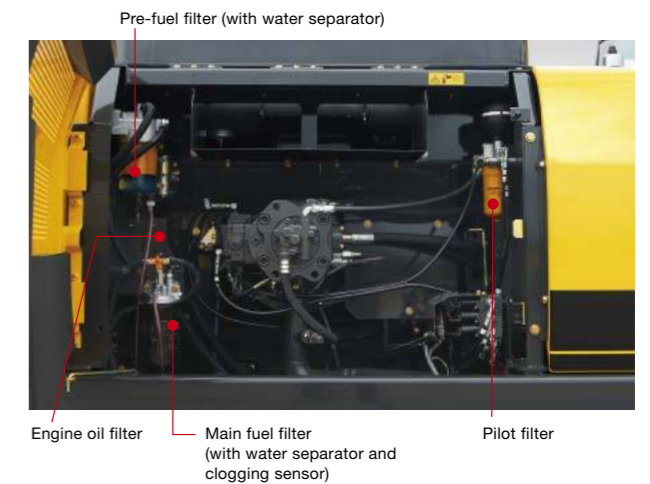
• Increased Cooling Capability

With the larger radiator and oil cooler, cooling capacity is increased, thus improving reliability. In addition, cleaning of the dust-proof net is simplified.



• Easy Filter Replacement

A fuel prefilter with water separator and water level sensor are provided as standard equipment to reduce maintenance trouble. In addition, the fuel and oil filters are installed at ground-accessible location to facilitate replacement.



High-Performance Return Filter

The hydraulic oil change interval is 5,000 hours, and the return filter change interval is 2,000 hours. One high performance return filter keeps the same level of filtering as a nephron.



• Hydraulic oil change: **5,000** hours

• Life of filter: **2,000** hours

* The oil and filter change interval varies by the working conditions.

Pre-air Cleaner (option)

An automatic exhaust type pre air cleaner option is available. The air cleaner cleaning frequency is minimised, even when operating in dusty conditions.



Easy Access to A/C Filter

The air intake filter is located in a lockable compartment to make it easier to replace, and access to the inside cab filter has been simplified.



Cab Floor Mat **SUMITOMO** UNIQUE DESIGN

The washable floor mat has been redesigned for ease of removing and cleaning.



Fuse Box Location

The fuse box has been located in a separate compartment behind the seat, allowing easier access.





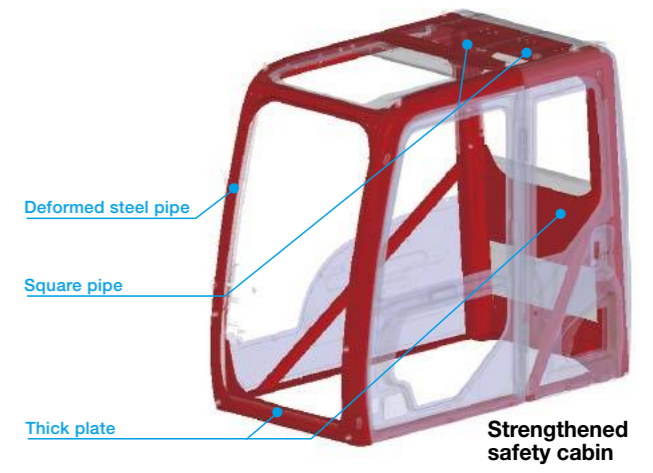
**Performance Refined.
Evolution Defined.**

Safety and Operator Comfort

Planning for safety in the event of a roll accident, a new strengthened safety cabin has been provided. The reinforced cabin greatly increases the operator's safety.

Newly Designed Strengthened Safety Cabin

The optimised design and strengthened parts increase the overall cabin strength. Even if the shovel were to tip over, the safety of the operator is ensured by keeping cabin deformation to a minimum.



Wide View Increases Safety of Work

In addition to the wide front view, the upper view has been widened to enhance work safety.



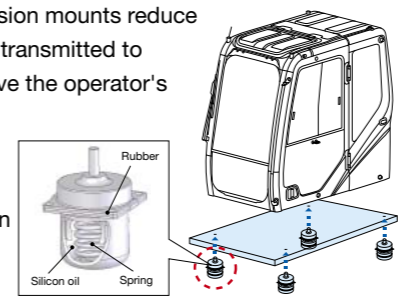
Safe and Easy Entry into and Exit from the Cab

A large handrail for easy opening/closing of the door and increased floor space permit the operator to get in and out of the cab easily.



New Cab Suspension Mounts

The new cab suspension mounts reduce vibration and impact transmitted to the cabin, and improve the operator's sitting quality and reduce operator fatigue. The sealed and pressurised cabin prevents entry of dust from outside.



New OPG Level 2 Head Guard (option)

OPG Level 2 head guard is available as an option. The see-through grille has been redesigned for better protection and visibility.



Easy Access to the Upper Structure



Cab Front Guard (option)

Optional cab front guard improves operator's safety from job site hazards.



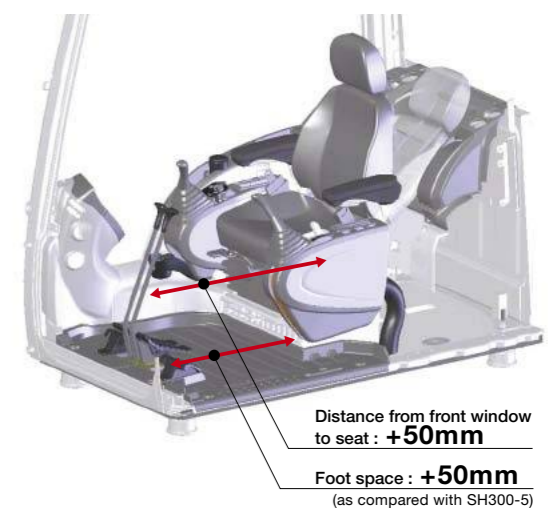
**Performance Refined.
Evolution Defined.**

Safety and Operator Comfort

The spacious cab on suspension mounts and reclining suspension seat softens operator fatigue and provide a relaxed environment.

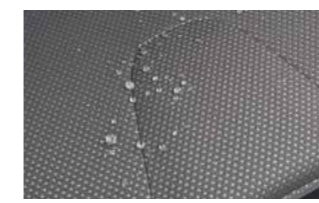
Stylish and Spacious Cab

Wide cab space and floor space ensure more comfortable operation. In addition to the tilting console that is adjustable in four steps vertically, the increased sliding distance ensures optimum working conditions. Moreover, in cab noise level has been reduced by 2 dB (as compared with SH300-5).



Sophisticated Reclining Seat

The seat reclining system allows the operator to lay the seat flat and to rest on site without having to remove the headrest. The suspension seat eliminates vibration and fatigue. Air suspension is also available as option.



The highly water repellent seat covering is tough on dirt and water.



Air suspension (option)

Auxiliary Operation Pedal

The auxiliary operation pedal is lighter to depress and the pedal angle is adjustable.



Comfortable Equipment



Luggage space



Hot & cool box



Magazine rack

Automatic Air Conditioner

Fully automatic climate control is available through the eight vents, with an 8% stronger A/C unit, and a 24% improvement in airflow. (as compared with SH350HD-5)



Radio and Speaker with USB Port and MP3 Jack

In addition to the AM/FM radio and dual speaker system with improved sound quality, auxiliary audio port is provided standard for devices such as MP3 players.



Lever Switches

One-touch idle, horn, radio mute, or one-touch wiper buttons are installed on the operation levers in consideration of improved operability while working.



Radio mute switch (left lever)



One-touch wiper switch (right lever)

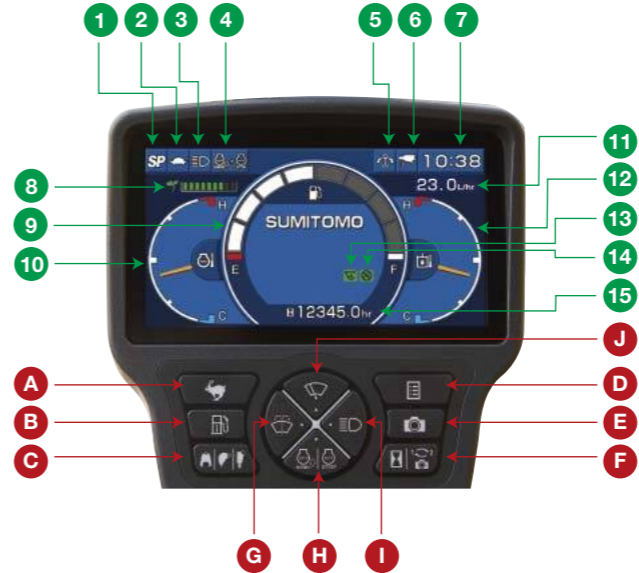


Safety and Operator Comfort

To support the operator in the field, the DASH 6 incorporates a 7" wide full colour LCD monitor with numerous functions and universally designed switch panel. The cabin with enhanced operator comfort ensures a safe working environment.

Large High-Definition LCD Monitor

A new large high-definition full colour LCD monitor has been introduced with better visibility and a switch panel which is easy to operate. Added functionality such as ECO gauge showing parameter of energy saving, display of operation status and warning messages, provides accurate information which improves work efficiency and safety.



Indicators

- 1 Working modes
- 2 Travel speed
- 3 Work lights
- 4 Engine idle modes
- 5 Free swing / Anti-theft
- 6 Attachment selection
- 7 Digital clock
- 8 ECO gauge
- 9 Fuel level gauge
- 10 Engine coolant temperature
- 11 Fuel consumption indicator
- 12 Hydraulic oil temperature
- 13 Power boost
- 14 Radio mute
- 15 Hour meter

Switch Panel

- A Travel speed button
- B Fuel consumption button
- C Aux. hydraulics settings
- D Computer menu
- E Camera on/off
- F Hour meter / Camera toggle button
- G Window washer control
- H Engine idle mode button
- I Worklights on/off
- J Window wiper control

Rearview Camera (option)

With the rearview camera, the operator can view the image on the large LCD monitor. A side camera is available as option and up to two different images can be displayed on the monitor.



Rearview Mirror

The rearview mirrors reduce blind spots during operation. ISO compliant mirrors also available as option.



Specifications

SH300-6 Technical Data

Electronic-controlled engine of SPACE 5+ and SIH:S+ with New Hydraulic System Includes: three working modes (SP, H and A), one-touch/automatic idling system, automatic power-boost, speed assistance system, power-swing system.

Engine

| SH300-6 | |
|---------------------|--|
| Model | ISUZU GH-6HK1X |
| Type | Water-cooled, 4-cycle diesel, 6-cylinder in line, high pressure common rail system (electric control), Turbocharger with air cooled intercooler. |
| Rated output | 202 kW (274 PS) at 2,000 min ⁻¹ (rpm) |
| Maximum torque | 989 N·m at 1,500 min ⁻¹ (rpm) |
| Piston displacement | 7.79 ltr |
| Bore and stroke | 115 mm x 125 mm |
| Starting system | 24 V electric motor starting |
| Alternator | 24 V, 50 A |
| Fuel tank | 450 ltr |
| Air filter | Double element |

Hydraulic pumps

Two variable displacement axial piston pumps provide power for boom/arm/bucket, swing, and travel. One gear pump for pilot controls.

| SH300-6 | |
|--------------------------|-----------------|
| Maximum oil flow | 2 x 243 ltr/min |
| Pilot pump max. oil flow | 27 ltr/min |

Hydraulic motors

For travel: Two variable displacement axial piston motors
For swing: One fixed displacement axial piston motor

Working circuit pressure

Boom/arm/bucket34.3 MPa (350 kgf/cm²)
Boom/arm/bucket37.3 MPa (380 kgf/cm²) with auto power-up
Swing circuit30.4 MPa (310 kgf/cm²)
Travel circuit34.3 MPa (350 kgf/cm²)

Control valve

With boom/arm holding valve
One 4-spool valve for right track travel, bucket, boom and arm acceleration
One 5-spool valve for left track travel, auxiliary, swing, boom acceleration and arm

Oil filtration

Return filter 6 microns
Pilot filter 8 microns
Suction filter 105 microns

Hydraulic cylinders

| Cylinder | Q'ty | Bore x Rod Diameter x Stroke |
|----------|------|------------------------------|
| Boom | 2 | 140 mm x 95 mm x 1369 mm |
| Arm | 1 | 150 mm x 105 mm x 1569 mm |
| Bucket | 1 | 135 mm x 90 mm x 1078 mm |

Double-acting, bolt-up-type cylinder tube-end; hardened steel bushings are installed in the cylinder tube and rods ends.

Cabin & controls

The cabin is mounted on four fluid mountings. Features include safety glass front, rear and side windows, adjustable upholstered suspension seat with headrest and armrest, cigarette lighter, pop-up skylight window, and intermittent wiper with washer.

The front window slides upward for storage and the lower front window is removable. Control levers are located in four positions tilting control consoles. Built-in type full-colour monitor display. Membrane switch on monitor display.

Swing

Planetary reduction is powered by an axial piston motor. The internal ring gear with has a grease cavity for pinion. The swing bearing is a single-row shear type ball bearing. Dual stage relief valves are used for smooth swing deceleration and stops. A mechanical disc swing brake is included.

| SH300-6 | |
|-------------------|-------------------------|
| Swing speed | 0~11.0 rpm |
| Tail swing radius | 3,160 mm |
| Swing torque | 92.1 kN·m (9,391 kgf·m) |

Undercarriage

An X-style carbody is integrally welded for strength and durability. The grease cylinder track adjusters have shock absorbing springs. The undercarriage has lubricated rollers and idlers.

Type of shoe: sealed link shoe

Upper rollers -
Heat treated, mounted on steel bushings with leaded bronze casting, sealed for lifetime lubrication.

Lower rollers -
Heat treated, mounted on steel bushings with leaded bronze casting, sealed for lifetime lubrication.

Track adjustment -
Idler axles adjusted with grease cylinder integral with each side frame; adjustment yoke mechanism fitted with heavy duty recoil spring.

Number of rollers and shoes on each side

| SH300-6 | |
|---------------|----|
| Upper rollers | 2 |
| Lower rollers | 9 |
| Track shoes | 50 |

Travel system

Two-speed independent hydrostatic system with compact axial motors for increased performance. Hydraulic motor powered output shaft coupled to a planetary reduction unit and track sprocket. All hydraulic components mounted within the width of side frame. Travel speed can be selected by the switch panel on the monitor display. Hydraulically released disc parking brake is built into each motor.

| SH300-6 | |
|--------------|-------------------------------|
| Travel speed | High 5.7 km/h Low 3.3 km/h |
| Drawbar pull | 233 kN (23,760kgf) |

Lubricant & coolant capacity

| SH300-6 | |
|-----------------------------|----------|
| Hydraulic system | 300 ltr |
| Hydraulic oil tank | 147 ltr |
| Fuel tank | 450 ltr |
| Cooling system | 30.8 ltr |
| Final drive case (per side) | 9.1 ltr |
| Swing drive case | 7.9 ltr |
| Engine crank case | 38 ltr |

Auxiliary hydraulic system

| SH300-6 | | | |
|--------------------------------|-------------|---------------------------------------|------------------------------|
| Auxiliary piping type (option) | For Breaker | For Double (breaker & crusher) acting | For D/A + Second option line |
| Arm type | STD | STD with Reinforcement plate | STD with Reinforcement plate |
| Bucket linkage type | HD | HD | HD |
| Auxiliary hydraulic pump flow | 257 ltr/min | 513 ltr/min | 513+63 ltr/min |

Bucket

Options and specifications may differ depending on countries and regions

| Model | | SH300-6 | | | | | | | |
|---------------------------------------|---------------------|---------|--------|--------------------|-------------------|-------------------|-------|--------------------|-------------------|
| Bucket capacity (ISO/SAE/PCSA heaped) | | 1.0 M3 | 1.1 M3 | | 1.2 M3 | 1.3 M3 | | | |
| Bucket capacity (CECE heaped) | | 0.85 M3 | 0.9 M3 | | 1.0 M3 | 1.1 M3 | | | |
| Bucket type | | STD | STD | STD Horizontal-pin | HD Horizontal-pin | HD Horizontal-pin | STD | STD Horizontal-pin | HD Horizontal-pin |
| Number of teeth | | 5 | 5 | 5 | 5 | 5 | 5 | 5 | 5 |
| Width unit: mm | With side cutter | 1 276 | 1 360 | 1 360 | 1 360 | 1 360 | 1 560 | 1 560 | 1 560 |
| | Without side cutter | 1 175 | 1 260 | 1 260 | 1 260 | 1 260 | 1 460 | 1 460 | 1 460 |
| Weight unit: kg | | 837 | 868 | 871 | 953 | 1 000 | 941 | 945 | 1 037 |
| Combination | 2.65 m arm | ☉ | ☉ | ☉ | ☉ | ☉ | ☉ | ☉ | ☉ |
| | 3.18 m arm | ☉ | ☉ | ☉ | ☉ | ☉ | ● | ● | ● |
| | 3.66 m arm | ☉ | ● | ● | ● | ● | ○ | ○ | ○ |

☉ Suitable for materials with density up to 2,000 kg/m³ or less

○ Suitable for materials with density up to 1,600 kg/m³ or less

● Standard bucket (Suitable for materials with density up to 1,800 kg/m³ or less)

Weight & Ground Pressure

| Model | | SH300-6 | | | |
|---------------------|--|------------|---------------|------------------|-----------------|
| Shoe type | | Shoe width | Overall width | Operating weight | Ground pressure |
| Triple grouser shoe | | 600 mm | 3 200 mm | 29 300 kg | 56 kPa |
| | | 700 mm | 3 300 mm | 29 700 kg | 48 kPa |
| | | 800 mm | 3 400 mm | 30 000 kg | 43 kPa |

Digging Force

| Model | | SH300-6 | | |
|---|-----------|-----------------|-----------------|-----------------|
| Arm length | | 2.65 m | 3.18 m | 3.66 m |
| Bucket digging force (with auto power up) | ISO 6015 | 175 kN (190 kN) | 175 kN (190 kN) | 175 kN (190 kN) |
| | SAE: PCSA | 156 kN (169 kN) | 156 kN (169 kN) | 156 kN (169 kN) |
| Arm digging force (with auto power up) | ISO 6015 | 140 kN (153 kN) | 122 kN (132 kN) | 110 kN (119 kN) |
| | SAE: PCSA | 135 kN (148 kN) | 118 kN (128 kN) | 107 kN (116 kN) |

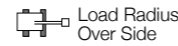
Lifting Capacity

Notes: 1. Ratings are based on ISO 10567

- Lifting capacity does not exceed 75% of tipping load with the machine on firm, level ground or 87% full hydraulic capacity.
- The load point is a hook (not standard equipment) located on the back of the bucket.
- *Indicates load limited by hydraulic capacity.
- 0 m = Ground.



A: Radius of load
B: Bucket hook height
C: Lifting capacity



Unit: kg

SH300-6

SHOE : 600 (mm)G
BUCKET : SAE/PCSA 1.30 (m²)
ARM LENGTH : 2.65 (m)
MAXIMUM REACH : 10.20 (m)
BOOM : 6.15 (m)

| Bucket Hook Height | Max. Radius | | 9 m | | 8 m | | 7 m | | 6 m | | 5 m | | 4 m | | 3 m | | 2 m | | Min. Radius | | | | | |
|--------------------|-------------|------|--------|------|--------|-------|--------|-------|--------|-------|---------|--------|---------|--------|---------|---------|---------|---------|-------------|---------|---------|------|---------|------|
| | Icons | | Icons | | Icons | | Icons | | Icons | | Icons | | Icons | | Icons | | Icons | | Icons | | | | | |
| | (kg) | (m) | (kg) | (m) | (kg) | (m) | (kg) | (m) | (kg) | (m) | (kg) | (m) | (kg) | (m) | (kg) | (m) | (kg) | (m) | (kg) | (m) | (kg) | (m) | | |
| 8 m | 4 200* | 7.76 | 4 200* | 7.76 | | | | | | | | | | | | | | | | | 4 320* | 6.34 | 4 320* | 6.34 |
| 7 m | 4 060* | 8.51 | 4 060* | 8.51 | | | 5 560* | 4 860 | 6 260* | 6 210 | | | | | | | | | | | 6 510* | 6.27 | 6 510* | 6.27 |
| 6 m | 3 990* | 9.06 | 3 760 | 9.06 | 4 330* | 3 820 | 6 390* | 4 810 | 7 230* | 6 120 | | | | | | | | | | | 7 600* | 6.01 | 7 600* | 6.01 |
| 5 m | 4 000* | 9.46 | 3 420 | 9.46 | 5 790* | 3 790 | 6 920* | 4 720 | 7 610* | 5 970 | 8 190* | 7 720* | 7 140* | 7 140* | | | | | | | 5 210* | 4.71 | 5 210* | 4.71 |
| 4 m | 4 060* | 9.71 | 3 200 | 9.71 | 5 800 | 3 720 | 7 120 | 4 610 | 8 170* | 5 790 | 9 180* | 7 480 | 10 710* | 10 030 | 12 480* | 12 480* | 10 610* | 10 610* | | | 11 430* | 2.50 | 11 430* | 2.50 |
| 3 m | 4 180* | 9.84 | 3 070 | 9.84 | 5 720 | 3 640 | 6 990 | 4 480 | 8 670 | 5 600 | 10 140* | 7 190 | 12 260* | 9 600 | 14 630* | 13 730 | | | | | 9 310* | 3.09 | 9 310* | 3.09 |
| 2 m | 4 330* | 9.86 | 3 010 | 9.86 | 5 630 | 3 560 | 6 850 | 4 360 | 8 530 | 5 420 | 10 900 | 6 900 | 13 580* | 9 130 | 16 660* | 12 890 | | | | | 7 120* | 3.28 | 7 120* | 3.28 |
| 1 m | 4 550* | 9.77 | 3 030 | 9.77 | 5 550 | 3 490 | 6 720 | 4 240 | 8 350 | 5 250 | 10 730 | 6 660 | 14 410* | 8 760 | 14 560* | 12 280 | | | | | 5 710* | 3.14 | 5 710* | 3.14 |
| 0 m | 4 870* | 9.57 | 3 110 | 9.57 | 5 490 | 3 440 | 6 630 | 4 150 | 8 200 | 5 120 | 10 520 | 6 470 | 14 320 | 8 520 | 14 200* | 11 970 | 7 530* | 7 530* | | | 5 320* | 2.62 | 5 320* | 2.62 |
| -1 m | 5 250 | 9.25 | 3 270 | 9.25 | 5 480 | 3 420 | 6 570 | 4 100 | 8 100 | 5 030 | 10 400 | 6 360 | 14 200 | 8 430 | 15 810* | 11 920 | 9 840* | 9 840* | 7 480* | 7 480* | 5 570* | 1.38 | 5 570* | 1.38 |
| -2 m | 5 670 | 8.82 | 3 540 | 8.82 | | | 6 580 | 4 120 | 8 100 | 5 030 | 10 380 | 6 360 | 14 160 | 8 450 | 17 910* | 12 200 | 12 400* | 12 400* | 10 080* | 10 080* | 6 640* | 1.01 | 6 640* | 1.01 |
| -3 m | 6 330 | 8.24 | 3 970 | 8.24 | | | 6 680 | 4 210 | 8 160 | 5 100 | 10 440 | 6 430 | 13 640* | 8 530 | 16 850* | 12 320 | 15 670* | 15 670* | 12 390* | 12 390* | 9 500* | 1.05 | 9 500* | 1.05 |
| -4 m | 6 940* | 7.50 | 4 640 | 7.50 | | | | | 8 160 | 5 290 | 10 210* | 6 570 | 12 410* | 8 680 | 15 190* | 12 510 | 18 990* | 18 990* | 15 640* | 15 640* | 13 300* | 1.40 | 13 300* | 1.40 |
| -5 m | 6 770* | 6.54 | 5 810 | 6.54 | | | | | | | 8 270* | 6 710* | 10 390* | 8 820 | 12 720* | 12 440 | 15 630* | 15 630* | | | 19 010* | 2.17 | 19 010* | 2.17 |

SH300-6

SHOE : 600 (mm)G
BUCKET : SAE/PCSA 1.30 (m²)
ARM LENGTH : 3.18 (m)
MAXIMUM REACH : 10.70 (m)
BOOM : 6.15 (m)

| Bucket Hook Height | Max. Radius | | 10 m | | 9 m | | 8 m | | 7 m | | 6 m | | 5 m | | 4 m | | 3 m | | 2 m | | 1 m | | Min. Radius | | | | |
|--------------------|-------------|-------|--------|-------|--------|-------|--------|--------|--------|--------|--------|--------|---------|--------|---------|---------|---------|---------|---------|---------|---------|---------|-------------|--------|---------|--------|------|
| | Icons | | Icons | | Icons | | Icons | | Icons | | Icons | | Icons | | Icons | | Icons | | Icons | | Icons | | Icons | | | | |
| | (kg) | (m) | (kg) | (m) | (kg) | (m) | (kg) | (m) | (kg) | (m) | (kg) | (m) | (kg) | (m) | (kg) | (m) | (kg) | (m) | (kg) | (m) | (kg) | (m) | (kg) | (m) | | | |
| 8 m | 3 230* | 8.35 | 3 230* | 8.35 | | | | | 4 100* | 4 100* | 4 220* | 4 220* | | | | | | | | | | | | 4 170* | 6.72 | 4 170* | 6.72 |
| 7 m | 3 120* | 9.04 | 3 120* | 9.04 | | | 3 280* | 3 280* | 4 950* | 4 950* | 5 370* | 5 370* | | | | | | | | | | | | 5 590* | 6.78 | 5 590* | 6.78 |
| 6 m | 3 080* | 9.56 | 3 080* | 9.56 | | | 4 580* | 3 940 | 5 450* | 4 930 | 6 330* | 6 130 | | | | | | | | | | | | 6 760* | 6.56 | 6 760* | 6.56 |
| 5 m | 3 100* | 9.93 | 3 100* | 9.93 | | | 5 320* | 3 890 | 6 060* | 4 830 | 7 130* | 6 110 | 7 580* | 7 580* | | | | | | | | | 7 590* | 5.99 | 7 590* | 5.99 | |
| 4 m | 3 150* | 10.17 | 2 990 | 10.17 | 3 890* | 3 100 | 5 880 | 3 810 | 6 990* | 4 710 | 7 710* | 5 930 | 8 410* | 7 660 | 9 550* | 9 550* | 9 570* | 9 570* | | | | | 9 430* | 3.92 | 9 430* | 3.92 | |
| 3 m | 3 250* | 10.30 | 2 870 | 10.30 | 4 530* | 3 050 | 5 800 | 3 720 | 7 090 | 4 580 | 8 430* | 5 730 | 9 640* | 7 370 | 11 490* | 9 890 | 14 400* | 14 000 | 18 360* | 18 360* | | | 9 140* | 2.46 | 9 140* | 2.46 | |
| 2 m | 3 380* | 10.31 | 2 820 | 10.31 | 4 760 | 3 000 | 5 700 | 3 630 | 6 940 | 4 440 | 8 660 | 5 540 | 10 590* | 7 070 | 12 960* | 9 400 | 16 350* | 13 370 | 8 630* | 8 630* | | | 5 040* | 2.70 | 5 040* | 2.70 | |
| 1 m | 3 570* | 10.22 | 2 830 | 10.22 | 4 710 | 2 950 | 5 610 | 3 550 | 6 810 | 4 320 | 8 460 | 5 360 | 10 900 | 6 800 | 14 050* | 9 890 | 17 390* | 12 690 | 6 970* | 6 970* | | | 3 920* | 2.52 | 3 920* | 2.52 | |
| 0 m | 3 830* | 10.03 | 2 890 | 10.03 | 4 040* | 2 910 | 5 540 | 3 480 | 6 690 | 4 220 | 8 290 | 5 210 | 10 660 | 6 590 | 14 900 | 8 690 | 15 810* | 12 280 | 8 160* | 8 160* | 4 490* | 4 490* | 3 890* | 1.81 | 3 890* | 1.81 | |
| -1 m | 4 180* | 9.73 | 3 030 | 9.73 | | | 5 490 | 3 430 | 6 610 | 4 140 | 8 170 | 5 100 | 10 490 | 6 450 | 14 310 | 8 510 | 16 180* | 12 100* | 9 800* | 9 800* | 7 570* | 7 570* | 5 920* | 0.69 | 5 920* | 0.69 | |
| -2 m | 4 680* | 9.32 | 3 250 | 9.32 | | | 5 500 | 3 440 | 6 580 | 4 120 | 8 120 | 5 050 | 10 420 | 6 390 | 14 250 | 8 480 | 18 100* | 12 210 | 11 830* | 11 830* | 9 300* | 9 300* | 8 910* | 0.48 | 8 910* | 0.48 | |
| -3 m | 5 420* | 8.78 | 3 590 | 8.78 | | | 6 630 | 4 160 | 8 140 | 5 080 | 10 440 | 6 420 | 14 130* | 8 530 | 17 690* | 12 290 | 14 410* | 14 410* | 11 290* | 11 290* | 10 140* | 10 140* | 8 060* | 0.51 | 8 060* | 0.51 | |
| -4 m | 6 550* | 8.08 | 4 120 | 8.08 | | | 6 680 | 4 220 | 8 150 | 5 190 | 10 460 | 6 520 | 13 210* | 8 640 | 16 350* | 12 440 | 18 200* | 18 200* | 14 270* | 14 270* | 12 000* | 12 000* | 10 680* | 0.81 | 10 680* | 0.81 | |
| -5 m | 6 890* | 7.19 | 5 000 | 7.19 | | | | | 7 470* | 5 290 | 9 490* | 6 710 | 11 640* | 8 830 | 14 320* | 12 600 | 18 040* | 18 040* | 17 300* | 17 300* | | | 14 910* | 1.43 | 14 910* | 1.43 | |
| -6 m | 6 470* | 6.04 | 6 470* | 6.04 | | | | | | | 6 750* | 6 690 | 9 030* | 8 810 | 11 250* | 11 250* | 13 950* | 13 950* | | | 14 990* | 2.68 | 14 990* | 2.68 | | | |

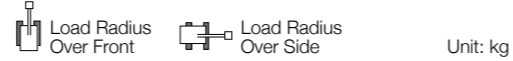
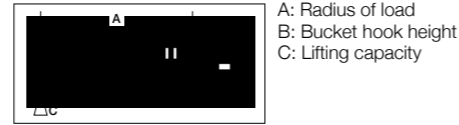
SH300-6

SHOE : 600 (mm)G
BUCKET : SAE/PCSA 1.10 (m²)
ARM LENGTH : 3.66 (m)
MAXIMUM REACH : 11.20 (m)
BOOM : 6.15 (m)

| Bucket Hook Height | Max. Radius | | 10 m | | 9 m | | 8 m | | 7 m | | 6 m | | 5 m | | 4 m | | 3 m | | 2 m | | 1 m | | 0 m | | Min. Radius | | | |
|--------------------|-------------|-------|--------|-------|--------|--------|--------|--------|--------|--------|--------|-------|---------|-------|---------|--------|---------|---------|---------|---------|--------|--------|--------|--------|-------------|--------|--------|------|
| | Icons | | Icons | | Icons | | Icons | | Icons | | Icons | | Icons | | Icons | | Icons | | Icons | | Icons | | Icons | | Icons | | | |
| | (kg) | (m) | (kg) | (m) | (kg) | (m) | (kg) | (m) | (kg) | (m) | (kg) | (m) | (kg) | (m) | (kg) | (m) | (kg) | (m) | (kg) | (m) | (kg) | (m) | (kg) | (m) | (kg) | (m) | | |
| 9 m | 2 870* | 8.11 | 2 870* | 8.11 | | | | | 3 140* | 3 140* | | | | | | | | | | | | | | | 3 050* | 7.57 | 3 050* | 7.57 |
| 8 m | 2 710* | 8.96 | 2 710* | 8.96 | | | | | 3 990* | 3 990* | | | | | | | | | | | | | | | 3 920* | 7.19 | 3 920* | 7.19 |
| 7 m | 2 620* | 9.60 | 2 620* | 9.60 | | | 3 860* | 3 860* | 4 460* | 4 460* | | | | | | | | | | | | | | 4 870* | 7.25 | 4 870* | 7.25 | |
| 6 m | 2 590* | 10.09 | 2 590* | 10.09 | 2 880* | 2 880* | 4 420* | 4 020 | 4 850* | 4 850* | | | | | | | | | | | | | | 5 670* | 7.06 | 5 670* | 7.06 | |
| 5 m | 2 950* | 10.43 | 2 590* | 10.43 | 3 800* | 3 210 | 4 900* | 3 960 | 5 590* | 4 920 | 6 430* | 6 080 | | | | | | | | | | | | 6 640* | 6.57 | 6 640* | 6.57 | |
| 4 m | 2 630* | 10.66 | 2 630* | 10.66 | 4 390* | 3 160 | 5 460* | 3 870 | 6 460* | 4 790 | 7 180* | 6 030 | 7 800* | 7 610 | 6 130* | 6 130* | | | | | | | 5 310* | 4.84 | 5 310* | 4.84 | | |
| 3 m | 2 700* | 10.78 | 2 650 | 10.78 | 4 850 | 3 090 | 5 860 | 3 770 | 7 090 | 4 650 | 8 030* | 5 820 | 9 100* | 7 510 | 10 680* | 9 980 | 13 230* | 13 230* | 10 500* | 10 500* | | | 9 300* | 2.11 | 9 300* | 2.11 | | |
| 2 m | 2 800* | 10.79 | 2 600 | 10.79 | 4 800 | 3 030 | 5 750 | 3 670 | 7 000 | 4 500 | 8 650 | 5 610 | 10 120* | 7 190 | 12 240* | 9 590 | 15 900* | 13 720 | 13 980* | 13 980* | | | 4 860* | 2.38 | 4 860* | 2.38 | | |
| 1 m | 2 950* | 10.71 | 2 600 | 10.71 | 4 730 | 2 960 | 5 640 | 3 570 | 6 850 | 4 360 | 8 530 | 5 410 | 10 890 | 6 890 | 13 520* | 9 120 | 16 770* | 12 920 | 8 220* | 8 220* | | | 3 300* | 2.18 | 3 300* | 2.18 | | |
| 0 m | 3 140* | 10.53 | 2 660 | 10.53 | 4 670 | 2 910 | 5 550 | 3 490 | 6 720 | 4 230 | 8 330 | 5 240 | 10 710 | 6 640 | 14 330* | 8 760 | 17 050* | 12 990 | 8 280* | 8 280* | 4 620* | 4 620* | 3 190* | 1.28 | 3 190* | 1.28 | | |
| -1 m | 3 410* | 10.25 | 2 770 | 10.25 | 4 640 | 2 880 | 5 480 | 3 420 | 6 610 | 4 140 | 8 180 | 5 100 | 10 510 | 6 460 | 14 330 | 8 520 | 16 180* | 12 110* | 9 430* | 9 430* | 6 810* | 6 810* | 5 340* | 0.19 | 5 340* | 0.19 | | |
| -2 m | 3 780* | 9.85 | 2 950 | 9.85 | | | 5 460 | 3 400 | 6 550 | 4 090 | 8 090 | 5 020 | 10 390 | 6 360 | 14 200 | 8 430 | 17 290* | 12 090 | 11 070* | 11 070* | 8 440* | 8 440* | 7 710* | 0.03 | 7 710* | 0.03 | | |
| -3 m | 4 310* | 9.34 | 3 220 | 9.34 | | | 5 490 | 3 440 | 6 570 | 4 100 | 8 090 | 5 030 | 10 380 | 6 360 | 14 170 | 8 440 | 18 100* | 12 150 | 13 180* | 13 180* | 10 | | | | | | | |

Lifting Capacity

- Notes: 1. Ratings are based on ISO 10567
 2. Lifting capacity does not exceed 75% of tipping load with the machine on firm, level ground or 87% full hydraulic capacity.
 3. The load point is a hook (not standard equipment) located on the back of the bucket.
 4. *Indicates load limited by hydraulic capacity.
 5. 0 m = Ground.



SH300-6

SHOE : 800 (mm)G
 BUCKET : SAE/PCSA 1.30 (m²)
 ARM LENGTH : 2.65 (m)
 MAXIMUM REACH : 10.20 (m)
 BOOM : 6.15 (m)

| Bucket Hook Height | Max. Radius | | Radius of Load | | | | | | | | | | | | | | | | Min. Radius | | | | | |
|--------------------|-------------|------|----------------|--------|--------|--------|--------|--------|---------|---------|---------|---------|---------|---------|---------|---------|---------|---------|-------------|--------|---------|--------|--------|------|
| | (kg) | (m) | 9 m | 8 m | 7 m | 6 m | 5 m | 4 m | 3 m | 2 m | | | (kg) | (m) | | | | | | | | | | |
| 8 m | 4 200* | 7.76 | | | 5 620* | 5 620* | | | | | | | | | | 4 320* | 6.34 | 4 320* | 6.34 | | | | | |
| 7 m | 4 060* | 8.51 | | 5 560* | 4 960 | 6 260* | 6 260* | | | | | | | | | 6 510* | 6.27 | 6 510* | 6.27 | | | | | |
| 6 m | 3 990* | 9.06 | 3 850 | 9.06 | 4 330* | 3 910 | 6 390* | 4 920 | 7 230* | 6 240 | | | | | | 7 600* | 6.01 | 7 600* | 6.01 | | | | | |
| 5 m | 4 000* | 9.46 | 3 510 | 9.46 | 5 790* | 3 880 | 6 920* | 4 830 | 7 610* | 6 100 | 8 190* | 7 830 | 7 140* | 7 140* | | 5 210* | 4.71 | 5 210* | 4.71 | | | | | |
| 4 m | 4 060* | 9.71 | 3 280 | 9.71 | 5 950 | 3 820 | 7 270 | 4 720 | 8 170* | 5 920 | 9 180* | 7 640 | 10 710* | 10 190 | 12 480* | 12 480* | 10 610* | 10 610* | 11 430* | 2.50 | 11 430* | 2.50 | | |
| 3 m | 4 180* | 9.84 | 3 150 | 9.84 | 5 860 | 3 740 | 7 160 | 4 590 | 8 780* | 5 730 | 10 140* | 7 350 | 12 260* | 9 800 | 14 630* | 14 010 | | | 9 310* | 3.09 | 9 310* | 3.09 | | |
| 2 m | 4 330* | 9.86 | 3 100 | 9.86 | 5 780 | 3 700 | 7 020 | 4 460 | 8 740 | 5 550 | 10 990* | 7 060 | 13 580* | 9 330 | 16 660* | 13 160 | | | 7 120* | 3.28 | 7 120* | 3.28 | | |
| 1 m | 4 550* | 9.77 | 3 110 | 9.77 | 5 700 | 3 580 | 6 900 | 4 350 | 8 550 | 5 380 | 10 990 | 6 810 | 14 410* | 8 960 | 14 560* | 12 550 | | | 5 710* | 3.14 | 5 710* | 3.14 | | |
| 0 m | 4 870* | 9.57 | 3 200 | 9.57 | 5 640 | 3 530 | 6 800 | 4 260 | 8 400 | 5 250 | 10 780 | 6 630 | 14 640* | 8 720 | 14 200* | 12 240 | 7 530* | 7 530* | 5 320* | 2.62 | 5 320* | 2.62 | | |
| -1 m | 5 330* | 9.25 | 3 370 | 9.25 | 5 620 | 3 510 | 6 740 | 4 210 | 8 310 | 5 160 | 10 650 | 6 520 | 14 540 | 8 630 | 15 810* | 12 190 | 9 840* | 9 840* | 7 480* | 7 480* | 5 570* | 1.38 | 5 570* | 1.38 |
| -2 m | 5 820 | 8.82 | 3 640 | 8.82 | | 6 750 | 4 230 | 8 300 | 5 160 | 10 640 | 6 520 | 14 330* | 8 650 | 17 910* | 12 470 | 12 400* | 12 400* | 10 080* | 10 080* | 6 640* | 1.01 | 6 640* | 1.01 | |
| -3 m | 6 490 | 8.24 | 4 070 | 8.24 | | 6 830 | 4 310 | 8 360 | 5 230 | 10 680 | 6 580 | 13 640* | 8 730 | 16 850* | 12 590 | 15 670* | 15 670* | 12 390* | 12 390* | 9 500* | 1.05 | 9 500* | 1.05 | |
| -4 m | 6 940* | 7.50 | 4 780 | 7.50 | | | 8 270* | 5 420 | 10 210* | 6 720 | 12 410* | 8 880 | 15 190* | 12 780 | 18 990* | 18 990* | 15 640* | 15 640* | 13 300* | 1.40 | 13 300* | 1.40 | | |
| -5 m | 6 770* | 6.54 | 5 950 | 6.54 | | | | 8 270* | 6 850* | 10 390* | 9 000 | 12 720* | 12 650* | 15 630* | 15 630* | | | | 19 010* | 2.17 | 19 010* | 2.17 | | |

SH300-6

SHOE : 800 (mm)G
 BUCKET : SAE/PCSA 1.30 (m²)
 ARM LENGTH : 3.18 (m)
 MAXIMUM REACH : 10.70 (m)
 BOOM : 6.15 (m)

| Bucket Hook Height | Max. Radius | | Radius of Load | | | | | | | | | | | Min. Radius | | | | | | | | | | | | |
|--------------------|-------------|-------|----------------|--------|--------|--------|--------|--------|--------|--------|---------|---------|---------|-------------|---------|---------|---------|---------|---------|---------|---------|---------|---------|---------|---------|------|
| | (kg) | (m) | 10 m | 9 m | 8 m | 7 m | 6 m | 5 m | 4 m | 3 m | 2 m | 1 m | (kg) | (m) | | | | | | | | | | | | |
| 8 m | 3 230* | 8.35 | | | 4 100* | 4 100* | 4 220* | 4 220* | | | | | 4 170* | 6.72 | 4 170* | 6.72 | | | | | | | | | | |
| 7 m | 3 120* | 9.04 | | 3 280* | 3 280* | 4 950* | 4 950* | 5 370* | 5 370* | | | | 5 590* | 6.78 | 5 590* | 6.78 | | | | | | | | | | |
| 6 m | 3 080* | 9.56 | 3 080* | 9.56 | 4 580* | 4 030 | 5 450* | 5 040 | 6 330* | 6 220 | | | 6 760* | 6.56 | 6 760* | 6.56 | | | | | | | | | | |
| 5 m | 3 100* | 9.93 | 3 100* | 9.93 | 5 320* | 3 980 | 6 060* | 4 940 | 7 130* | 6 230 | 7 580* | 7 580* | 7 590* | 5.99 | 7 590* | 5.99 | | | | | | | | | | |
| 4 m | 3 150* | 10.17 | 3 070 | 10.17 | 3 890* | 3 180 | 6 010 | 3 900 | 6 990* | 4 820 | 7 710* | 6 050 | 8 410* | 7 820 | 9 550* | 9 550* | 9 570* | 9 570* | 9 430* | 3.92 | 9 430* | 3.92 | | | | |
| 3 m | 3 250* | 10.30 | 2 950 | 10.30 | 4 530* | 3 140 | 5 950 | 3 820 | 7 260 | 4 690 | 8 430* | 5 860 | 9 640* | 7 530 | 11 490* | 10 090 | 14 400* | 14 210 | 18 360* | 18 360* | 9 140* | 2.46 | 9 140* | 2.46 | | |
| 2 m | 3 380* | 10.31 | 2 900 | 10.31 | 4 850* | 3 080 | 5 850 | 3 720 | 7 110 | 4 550 | 8 830 | 5 660 | 10 590* | 7 230 | 12 960* | 9 600 | 16 350* | 13 650 | 8 630* | 8 630* | 5 040* | 2.70 | 5 040* | 2.70 | | |
| 1 m | 3 570* | 10.22 | 2 910 | 10.22 | 4 780* | 3 030 | 5 760 | 3 640 | 6 980 | 4 430 | 8 670 | 5 480 | 11 110 | 6 960 | 14 050* | 9 190 | 17 390* | 12 970 | 6 970* | 6 970* | 3 920* | 2.52 | 3 920* | 2.52 | | |
| 0 m | 3 830* | 10.03 | 2 980 | 10.03 | 4 040* | 2 990 | 5 680 | 3 570 | 6 860 | 4 320 | 8 500 | 5 330 | 10 910 | 6 750 | 14 630* | 8 880 | 15 810* | 12 550 | 8 160* | 8 160* | 4 490* | 1.81 | 3 890* | 1.81 | | |
| -1 m | 4 180* | 9.73 | 3 110 | 9.73 | 5 630 | 3 530 | 6 780 | 4 250 | 8 380 | 5 220 | 10 740 | 6 600 | 14 650 | 8 710 | 16 180* | 12 370 | 9 800* | 9 800* | 7 570* | 7 570* | 5 920* | 0.69 | 3 980* | 0.69 | | |
| -2 m | 4 680* | 9.32 | 3 340 | 9.32 | 5 640 | 3 530 | 6 750 | 4 220 | 8 320 | 5 180 | 10 680 | 6 550 | 14 560* | 8 680 | 18 100* | 12 480 | 11 830* | 11 830* | 9 300* | 9 300* | 8 910* | 0.48 | 6 040* | 0.48 | | |
| -3 m | 5 420* | 8.78 | 3 690 | 8.78 | | 6 800 | 4 270 | 8 340 | 5 210 | 10 690 | 6 580 | 14 140* | 8 730 | 17 690* | 12 560 | 14 410* | 14 410* | 11 290* | 11 290* | 10 140* | 10 140* | 8 060* | 0.51 | 6 060* | 0.51 | |
| -4 m | 6 570* | 8.08 | 4 230 | 8.08 | | 6 830 | 4 330 | 8 390 | 5 310 | 10 690 | 6 670 | 13 210* | 8 830 | 16 350* | 12 710 | 18 200* | 18 200* | 14 270* | 14 270* | 12 000* | 12 000* | 10 680* | 0.81 | 10 680* | 0.81 | |
| -5 m | 6 890* | 7.19 | 5 120 | 7.19 | | | 7 470* | 5 420 | 9 490* | 6 860 | 11 640* | 9 020 | 14 320* | 12 840 | 18 040* | 18 040* | 17 300* | 17 300* | | | | | 14 910* | 1.43 | 14 910* | 1.43 |
| -6 m | 6 470* | 6.04 | 6 470* | 6.04 | | | | | 6 750* | 6 750* | 9 030* | 8 970 | 11 250* | 11 250* | 13 950* | 13 950* | | | | | | | 14 990* | 2.68 | 14 990* | 2.68 |

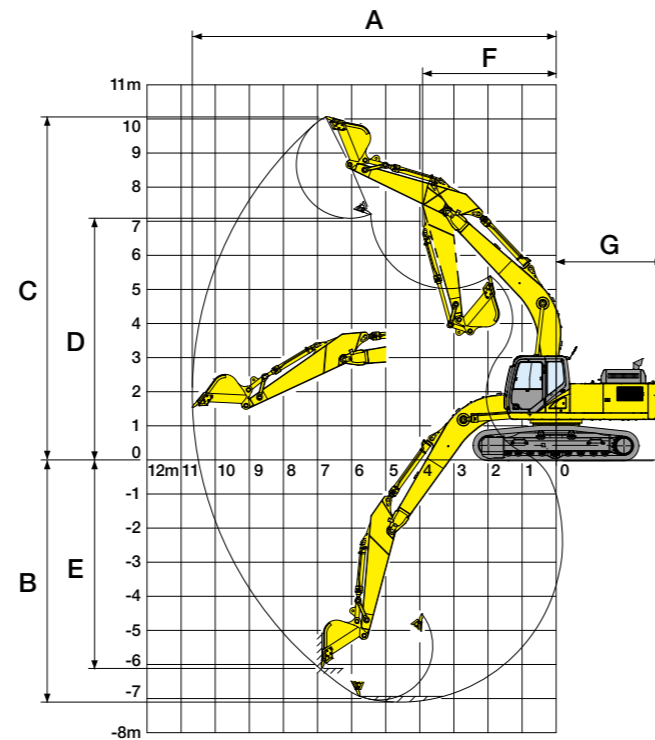
SH300-6

SHOE : 800 (mm)G
 BUCKET : SAE/PCSA 1.10 (m²)
 ARM LENGTH : 3.66 (m)
 MAXIMUM REACH : 11.20 (m)
 BOOM : 6.15 (m)

| Bucket Hook Height | Max. Radius | | Radius of Load | | | | | | | | | | | Min. Radius | | | | | | | | | | | | | |
|--------------------|-------------|-------|----------------|-------|--------|--------|--------|--------|---------|---------|---------|---------|---------|-------------|---------|---------|---------|---------|---------|---------|--------|--------|---------|--------|---------|--------|------|
| | (kg) | (m) | 10 m | 9 m | 8 m | 7 m | 6 m | 5 m | 4 m | 3 m | 2 m | 1 m | 0 m | (kg) | (m) | | | | | | | | | | | | |
| 9 m | 2 870* | 8.11 | | | 3 140* | 3 140* | | | | | | | | 3 050* | 7.57 | 3 050* | 7.57 | | | | | | | | | | |
| 8 m | 2 710* | 8.96 | | | 3 990* | 3 990* | | | | | | | | 3 920* | 7.19 | 3 920* | 7.19 | | | | | | | | | | |
| 7 m | 2 620* | 9.60 | 2 620* | 9.60 | 3 860* | 3 860* | 4 460* | 4 460* | | | | | | 4 870* | 7.25 | 4 870* | 7.25 | | | | | | | | | | |
| 6 m | 2 590* | 10.09 | 2 590* | 10.09 | 2 880* | 2 880* | 4 420* | 4 120 | 4 850* | 4 850* | | | | 5 670* | 7.06 | 5 670* | 7.06 | | | | | | | | | | |
| 5 m | 2 590* | 10.43 | 2 590* | 10.43 | 3 800* | 3 290 | 4 900* | 4 050 | 5 590* | 5 030 | 6 430* | 6 190* | | 6 640* | 6.57 | 6 640* | 6.57 | | | | | | | | | | |
| 4 m | 2 630* | 10.66 | 2 630* | 10.66 | 4 390* | 3 240 | 5 460* | 3 970 | 6 460* | 4 900 | 7 180* | 6 150 | 7 800* | 7 720 | 6 130* | 6 130* | | | 5 310* | 4.84 | 5 310* | 4.84 | | | | | |
| 3 m | 2 700* | 10.78 | 2 700* | 10.78 | 4 870* | 3 180 | 5 990 | 3 870 | 7 170* | 4 750 | 8 030* | 5 950 | 9 100* | 7 670 | 10 680* | 10 170 | 13 230* | 13 230* | 10 500* | 10 500* | 9 300* | 2.11 | 9 300* | 2.11 | | | |
| 2 m | 2 800* | 10.79 | 2 680 | 10.79 | 4 930 | 3 110 | 5 900 | 3 760 | 7 170 | 4 610 | 8 720* | 5 740 | 10 120* | 7 340 | 12 240* | 9 790 | 15 900* | 13 980* | 13 980* | 8 860* | 2.38 | 4 860* | 2.38 | | | | |
| 1 m | 2 950* | 10.71 | 2 680 | 10.71 | 4 860 | 3 050 | 5 790 | 3 670 | 7 020 | 4 470 | 8 730 | 5 540 | 10 980* | 7 040 | 13 520* | 9 320 | 16 770* | 13 200 | 8 220* | 8 220* | 3 300* | 2.18 | 3 300* | 2.18 | | | |
| 0 m | 3 140* | 10.53 | 2 740 | 10.53 | 4 800 | 2 990 | 5 700 | 3 580 | 6 880 | 4 340 | 8 540 | 5 360 | 10 970 | 6 790 | 14 330* | 8 960 | 17 050* | 12 670 | 8 280* | 8 280* | 4 620* | 1.28 | 3 190* | 1.28 | | | |
| -1 m | 3 410* | 10.25 | 2 850 | 10.25 | 4 730* | 2 960 | 5 630 | 3 520 | 6 780 | 4 250 | 8 390 | 5 230 | 10 760 | 6 610 | 14 640* | 8 720 | 16 180* | 12 380 | 9 430* | 9 430* | 6 810* | 5 340* | 5 340* | 3 520* | 0.19 | 3 520* | 0.19 |
| -2 m | 3 780* | 9.86 | 3 030 | 9.86 | 5 600 | 3 490 | 6 720 | 4 190 | 8 300 | 5 150 | 10 650 | 6 510 | 14 540 | 8 630 | 17 290* | 12 370 | 11 070* | 11 070* | 8 440* | 8 440* | 7 710* | 7 710* | 5 250* | 5 250* | 0 | 5 250* | 0 |
| -3 m | 4 310* | 9.34 | 3 310 | 9.34 | 5 640 | 3 540 | 6 740 | 4 210 | 8 290 | 5 150 | 10 630 | 6 520 | 14 350* | 8 640 | 18 100* | 12 420 | 13 180* | 13 180* | 10 200* | 10 200* | 9 050* | 9 050* | 6 730* | 0.03 | 6 730* | 0.03 | |
| -4 m | 5 100* | 8.69 | 3 740 | 8.69 | | 6 820 | 4 300 | 8 350 | 5 220 | 10 670 | 6 580 | 13 670* | 8 720 | 17 070* | 12 540 | 15 970* | 15 970* | 12 380* | 12 380* | 10 660* | | | 8 780* | 0.29 | 8 780* | 0.29 | |
| -5 m | 6 380* | 7.86 | 4 410 | 7.86 | | | 8 320* | 5 390 | 10 200* | 6 720 | 12 440* | 8 880 | 15 400* | 12 740 | 19 610* | 19 610* | 16 690* | 16 690* | 12 810* | 12 810* | | | 11 700* | 0.82 | 11 700* | 0.82 | |
| -6 m | 6 360* | 6.82 | 5 560 | 6.82 | | | | 8 310* | 6 840 | 10 400* | 8 990 | 12 880* | 12 670* | 16 250* | 16 250* | 18 990* | 18 990* | | | | | | 17 690* | 1.79 | 17 690* | 1.79 | |

Working Range

| | SH300-6 | | |
|-------------------------------|-----------|-----------|-----------|
| Arm length | 2.65 m | 3.18 m | 3.66 m |
| Boom length | 6.15 m | | |
| A Max digging radius | 10 220 mm | 10 670 mm | 11 160 mm |
| B Max digging depth | 6 570 mm | 7 100 mm | 7 580 mm |
| C Max digging height | 9 930 mm | 10 060 mm | 10 390 mm |
| D Max dumping height | 6 940 mm | 7 090 mm | 7 390 mm |
| E Max vertical wall cut depth | 5 760 mm | 6 120 mm | 6 720 mm |
| F Min front swing radius | 4 000 mm | 3 920 mm | 4 000 mm |
| G Rear end swing radius | 3 160 mm | | |



Standard Equipment

[Hydraulic system]

- SIH:S+ hydraulic system
- Operation mode (SP, H and A mode)
- Automatic 2-speed travel
- Automatic power boost
- Arm/boom/bucket reactivation circuit
- Automatic swing parking system
- High-performance return filter

[Cab/interior equipment]

- Top guard OPG level1 (in cab structure)
- Shock-less cab suspension by 4-point fluid mounts
- Built-in type full-colour monitor display
- Tilting console
- Open air introducing pressurised full-automatic air conditioner
- Defroster
- Hot & cool box
- KAB seat
- Seat suspension
- Windscreen wiper (with intermittent operation function)
- Cup holder
- AM/FM radio (with muting function and AUX port & USB port)
- Radio mute/ Windscreen wiper one-touch control on joystick
- Clock
- Magazine rack
- Accessory case
- Floor mat
- Armrest & headrest
- Ashtray & cigarette lighter
- Cab light (Auto-OFF function)
- Coat hook

[Safety equipment]

- Rearview mirror (left/right)
- Emergency escape tool
- Retracting seat belt
- Gate lock lever
- Travel alarm (with on and off switch)
- Anti-theft alarm system
- Engine room firewall
- Fan guard
- Engine emergency stop switch
- Engine neutral start

[Others]

- Auto/one-touch idling
- Auto idle shutdown system
- EMS
- Long-life hydraulic oil
- Two lights (main unit and left of boom)
- Fuel filter (with water separator)
- Fuel prefilter (with water separator)
- Double-element air cleaner
- Grease-enclosed track link
- Large tool box
- A set of tools

Principle Specifications

| | SH300-6 | |
|-----------------------|---------------------------------------|---|
| | STD Specifications | |
| Base | Boom length | 6.150 m |
| | Arm length | 3.180 m |
| | Bucket capacity (ISO heaped) | 1.3 M3 |
| Std. operating weight | 29,300 kg | |
| | | |
| Engine | Make & model | ISUZU GH-6HK1X |
| | Rated output | 202 kW/2 000 min ⁻¹ |
| Hydraulic System | Displacement | 7.79 ltr |
| | Main pump | 2 variable displacement axial piston pumps with regulating system |
| | Max pressure | 34.3 MPa |
| | /with auto power boost | 37.3 MPa |
| | Travel motor | Variable displacement axial piston motor |
| Parking brake type | Mechanical disc brake | |
| | | |
| Swing motor | Fixed displacement axial piston motor | |
| | | |
| Performance | Travel speed | 5.7/3.3 km/h |
| | Drawbar pull | 233 kN |
| | Gradeability | 70% <35°> |
| | Ground pressure | 56 kPa |
| | Swing speed | 11.0 min ⁻¹ |
| | Bucket digging force | 175 kN |
| | /with power boost | 190 kN |
| Others | Arm digging force | 122 kN |
| | /with power boost | 132 kN |
| | Fuel tank | 450 ltr |
| Hydraulic fluid tank | 147 ltr | |

Accessories (option)

■ Cab-top lights



■ Rain deflector



■ Head guard (OPG level 2)



■ Polycarbonate roof top window with sunshade



■ Front guard (OPG level 1 or 2)



■ Front mesh guard (full/lower)



■ Precleaner

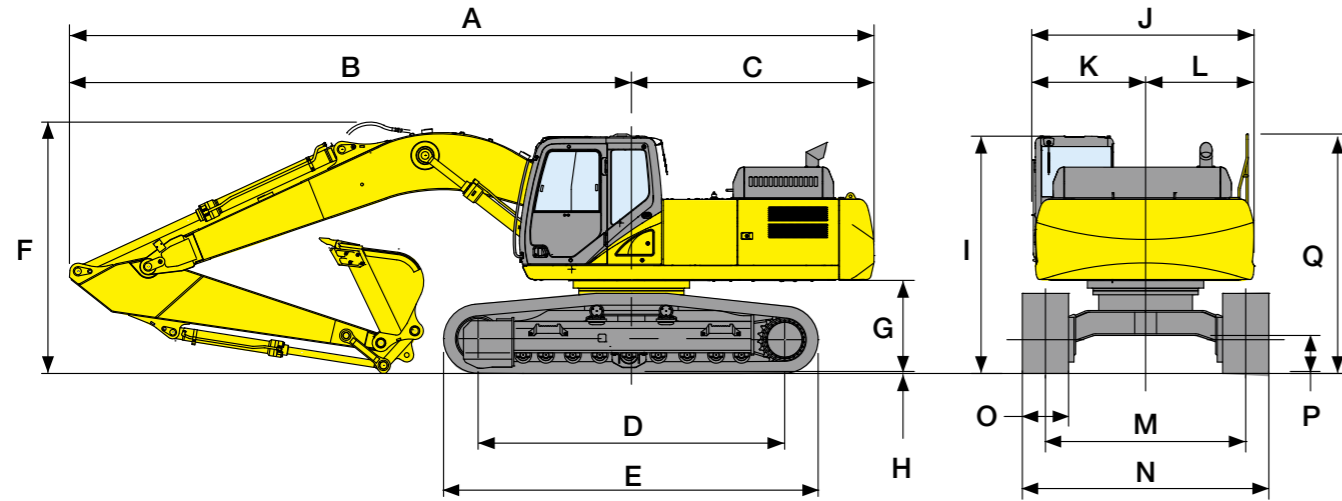


■ Air suspension (KAB seat)



- Refuel pump
- Hose burst check valve (HBCV) for boom/arm cylinders
- Straight travel pedal
- Side camera
- Rear view camera
- ISO compliant guardrail
- ISO compliant mirror
- ROPS Cabin

Dimensions



| Model | SH300-6 | | |
|---|-----------|-----------|-----------|
| Arm length | 2.65 m | 3.18 m | 3.66 m |
| A Overall length | 10 480 mm | 10 450 mm | 10 470 mm |
| B Length from centre of machine (to arm top) | 7 330 mm | 7 300 mm | 7 320 mm |
| C Upper structure rear end radius | 3 150 mm | 3 150 mm | 3 150 mm |
| D Centre to centre of wheels | 3 980 mm | 3 980 mm | 3 980 mm |
| E Overall track length | 4 850 mm | 4 850 mm | 4 850 mm |
| F Overall height (to top of boom) | 3 340 mm | 3 260 mm | 3 460 mm |
| G Clearance height under upper structure | 1 180 mm | 1 180 mm | 1 180 mm |
| H Shoe lug height | 26 mm | 26 mm | 26 mm |
| I Overall height (to top of cab) | 3 090 mm | 3 090 mm | 3 090 mm |
| J Upper structure overall width | 2 890 mm | 2 890 mm | 2 890 mm |
| K Width from centre of machine (left side) | 1 480 mm | 1 480 mm | 1 480 mm |
| L Width from centre of machine (right side) | 1 410 mm | 1 410 mm | 1 410 mm |
| M Track gauge | 2 600 mm | 2 600 mm | 2 600 mm |
| N Overall width | 3 200 mm | 3 200 mm | 3 200 mm |
| O Std. shoe width | 600 mm | 600 mm | 600 mm |
| P Minimum ground clearance | 470 mm | 470 mm | 470 mm |
| Q Overall height (to top of handrail) | 3 110 mm | 3 110 mm | 3 110 mm |

MEMO