

SUMITOMO

SUMITOMO

SH235X-6

MINIMUM SWING RADIUS

- Engine Rated Power (Net): 117.3 kW·159.5 PS
- Operating Weight:
 - SH235X-6..... 25,100~25,600 kg
- Bucket: ISO/SAE/PCSA Heaped: 0.50~1.10 M3



**SUMITOMO (S.H.I.)
CONSTRUCTION MACHINERY CO., LTD.**

731-1 Naganumahara-cho, Inage-ku, Chiba, 263-0001 Japan
For further information please contact: Phone : +81-43-420-1829 Facsimile : +81-43-420-1907

We are constantly improving our products and therefore reserve the right to change designs and specifications without notice.
Illustrations may include optional equipment and accessories and may not include all standard equipment.

Performance Refined. Evolution Defined.

Engine and Hydraulics 04-07

- New Generation Engine System "SPACE 5+"
- New Hydraulic System "SIH:S+"
- SUMITOMO Fuel Efficiency Technology
- Drastically Increased Productivity

Durability and Maintenance 08-09

- High Rigidity Attachments
- EMS
- Ground Level Maintenance

Safety and Operator Comfort 10-13

- Stylish and Spacious Cabin
- High-Definition Full Colour LCD Monitor
- FVM® (Field View Monitor) (option)

Specifications 14-19

ENGINEERED IN JAPAN

The world knows that Japanese designed and engineered products represent the highest quality, especially for Industrial Products. The hydraulic excavator is no exception when a totally integrated concept is required in design work involving key components, manufacturing engineering, and product quality assurance in the factory. SUMITOMO hydraulic excavators are designed and manufactured today to meet the global demands of our many customers with the concept of Performance, Reliability, and Fuel Efficiency foremost in our minds. This proven Japanese technology and quality gives SUMITOMO excavator customers total peace of mind and provide a complete solution for the demands of the construction industry.



**Performance Refined.
Evolution Defined.**

New Engine System **SPACE 5+ PLUS** + New Hydraulic System **SIH:S+ PLUS** = **29% Reduction in Fuel Consumption**
(in H mode as compared with SH225X-3B [N mode])

New Generation Engine System "SPACE 5+"

The new engine system optimises fuel efficiency and environmental performance via the advanced common rail fuel injection system, cooled EGR system, and turbocharger. At the same time, excellent response times are achieved.

Engine and Hydraulics



SH235X-6 has achieved a 29% fuel saving in comparison with our DASH 3B series, by fusing the new generation engine system "SPACE 5+" and the new hydraulic system "SIH:S+", further refining fuel efficiency. At the same time the newly developed ISUZU engine, contributes greatly to the environment.

Mode Selection by Throttle SUMITOMO UNIQUE DESIGN

There are three new working modes available: SP (Super Power) for heavy duty applications, H (Heavy) for normal working conditions, and A (Auto) for a wide range of operations.



Further Improvement of Fuel Consumption

The new technology has improved operations and reduced fuel consumption on each working mode.

- SP mode **15%** Reduction in Fuel Consumption
- H mode **29%** Reduction in Fuel Consumption
- A mode **19%** Reduction in Fuel Consumption

(as compared with SH225X-3B. SP mode and H mode has been compared with N mode, and A mode with E mode)

*Fuel consumption may vary from time to time depending on site and working conditions, operator skill and other circumstances.

ECO Gauge to Display Energy Efficiency Operation

An ECO Gauge and fuel consumption indicator are included within the monitor to make energy efficiency recognisable in an instant.



ECO gauge



Fuel consumption indicator

SUMITOMO Technology for Fuel Efficiency

- **SSC (Spool Stroke Control)** SUMITOMO UNIQUE DESIGN
Reduces engine load upon heavy duty operation.
- **PTR (Pump Transition Reduction)** SUMITOMO UNIQUE DESIGN
Decreases engine load when the pump flow requirement is reduced upon abrupt pump load.
- **BES (Boom-down Energy Save)** SUMITOMO UNIQUE DESIGN
Lowers engine speed upon boom-down and swing operation which does not require large oil flow.
- **AES (Auto Energy Save)** SUMITOMO UNIQUE DESIGN
Lowers engine speed accordingly when low engine load is sensed.

Idle Shut Down & Auto Idle

Upon activation, idle shut down automatically shuts the engine down when the machine is not in operation for set amount of time. Auto Idle is also available, which makes the engine begin idling approximately five seconds after the operation levers are in neutral position.

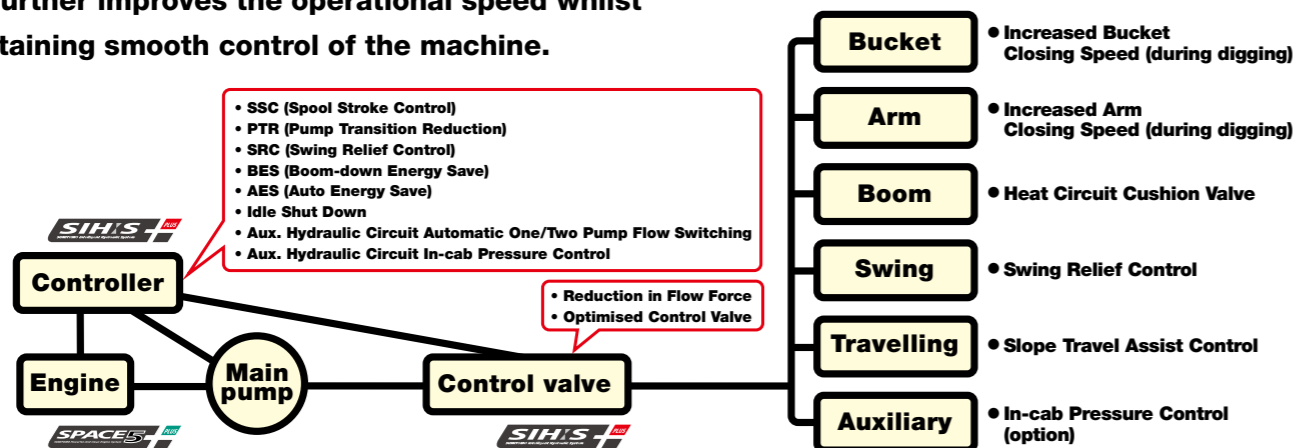




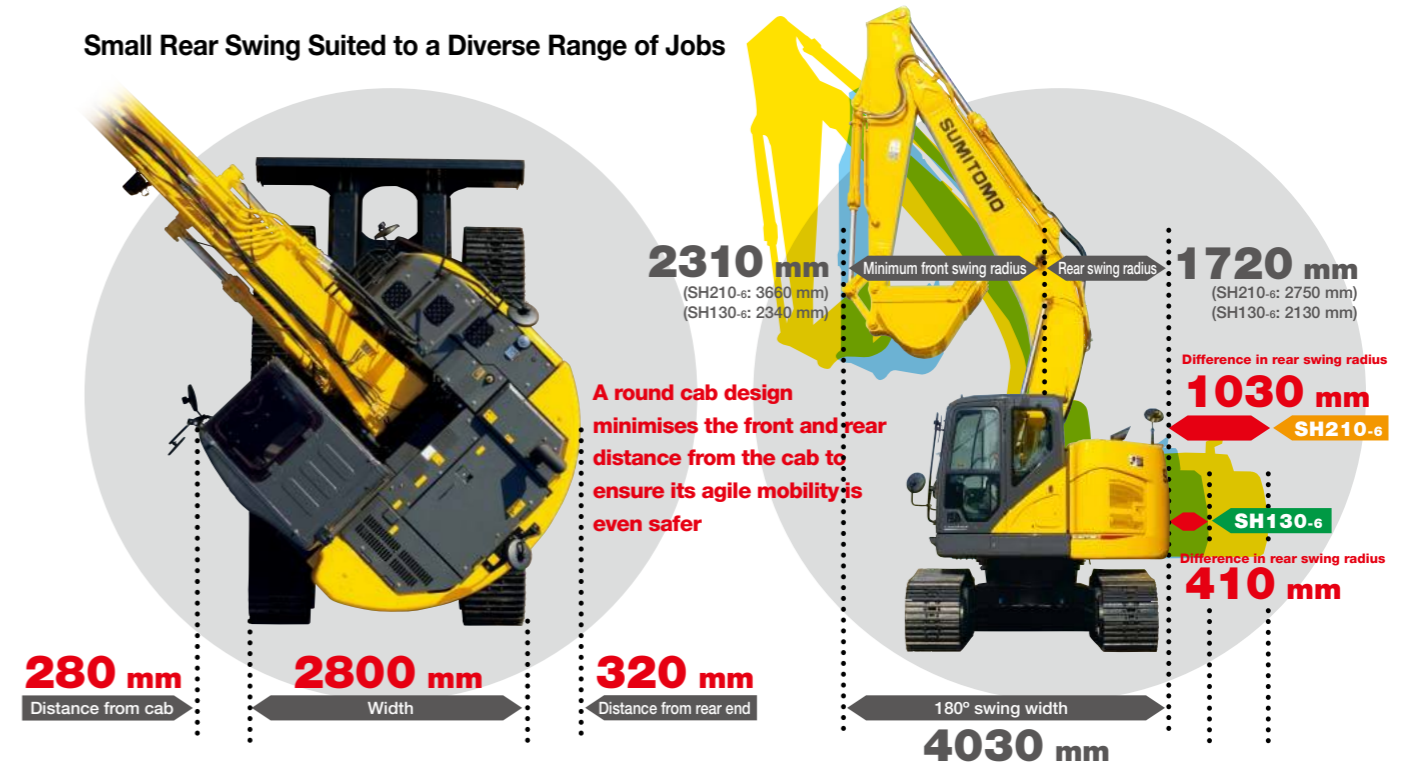
**Performance Refined.
Evolution Defined.**

Engine and Hydraulics

SUMITOMO's original Spool Stroke Control (SSC) technology perfectly matches the engine and hydraulic power, and further improves the operational speed whilst maintaining smooth control of the machine.



Small Rear Swing Suited to a Diverse Range of Jobs



Note: The figures shown above are achieved when standard counterweights are installed. The minimum rear swing will differ to these figures when heavier counterweights are installed.

Work Efficiency Drastically Increased **SUMITOMO UNIQUE DESIGN**

Spool Stroke Control (SSC) variably controls spool port flow rate, depending on the condition of operation. Improved power, speed, and smoother controls mean that work efficiency is dramatically increased.

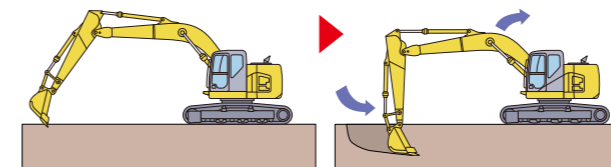
8% Faster Cycle Time (SP mode)

Speed increase by 8% in cycle time has been achieved, giving further advance in productivity (as compared with SH225X-3B [N mode]).

Real Digging Power

The true digging force can not be expressed by a maximum digging power figure listed in sales brochures. With an improved hydraulic system and a large arm cylinder, the arm-in motion speed slowdown is minimised. The digging power when combined with the attachment speed in motion convert to the operator's "Real Digging Power".

Speed and Power, Dramatically Increases Productivity



- SP mode **8% faster cycle time**
- H mode **4% faster cycle time**
- A mode **9% faster cycle time**

(as compared with SH225X-3B. SP mode and H mode has been compared with N mode, and A mode with E mode) *Based on SUMITOMO's testing condition and results.

Remarkable Combined Operation

Prevents rapid deceleration upon combined operation such as attachment operation when travelling, ensuring stable performance.

Auxiliary Hydraulic Circuit

Selection of auxiliary circuit has been made easier. Correct pump flow (one pump or two pump) will automatically be activated upon operator's selection of the circuit. In-cab pressure control (option) also available.

Automatic Power Boost

The digging power increases automatically in quick response to the working conditions during heavy-duty digging work. This is a design unique to SUMITOMO, and continues for eight seconds (SP/H mode).

Operating Condition Easily Viewable on Display

Various control such as working modes and auxiliary hydraulic setting can be easily selected by the universally designed switch panel, and the selected mode can be easily viewed on the 7" wide monitor.



Durability and Maintenance

Serviceability and durability are also important points of machine performance. Ground level access to the engine area makes daily maintenance extremely straightforward. Reliability has been further enhanced by increasing cooling capability and durability.

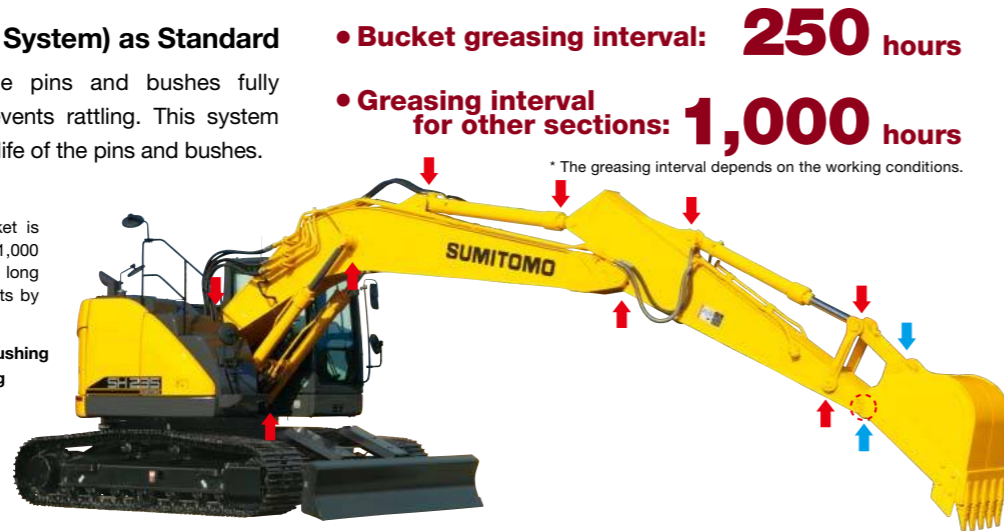


EMS (Easy Maintenance System) as Standard

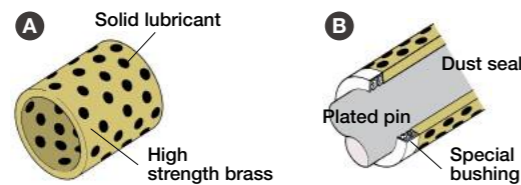
SUMITOMO's EMS keeps the pins and bushes fully lubricated at all times and prevents rattling. This system significantly extends the service life of the pins and bushes.

The lubrication interval around the bucket is 250 hours, and for the other sections is 1,000 hours, keeping the joints lubricated for a long time and extending the service life of parts by reducing abrasion and rattling.

- ➡ Sections equipped with steel EMS bushing
- ➡ Sections equipped with EMS bushing



EMS bushing



- A** A solid lubricant embedded in high strength brass forms a layer on the bushing surface to prevent contact between metals, maintaining an excellent lubricated state to reduce abrasion of joints.
- B** The surface of the pin is plated to increase the surface hardness and improve the wear resistance accordingly.

Steel EMS bushing



Steel EMS is installed around the bucket

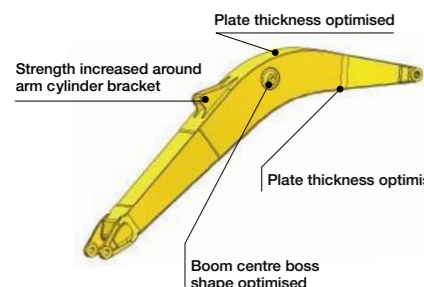
Precautionary use of EMS

- Grease is enclosed, however greasing is necessary every 1000 hours or six months depending on the level of dusting conditions.
- Greasing is also necessary after any components have been submerged underwater for prolonged periods.
- Greasing is also recommended after use with hydraulic breakers, crushers or other high impact attachments such as Rock Saws etc.
- Bucket pins should be cleaned thoroughly when removing or attaching new buckets.

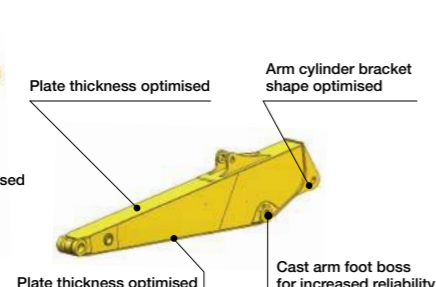
High Rigidity Attachments

The structure of the boom and arm has been further improved, ensuring strength and durability. In addition, high strength castings are used for the boom base and arm end, improving reliability.

• Boom

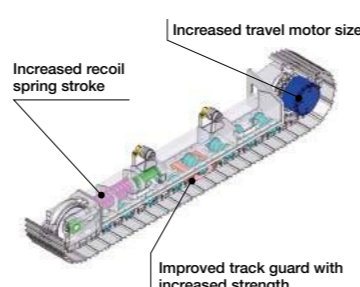


• Arm



High Rigidity Undercarriage

For improved mobility, the track system has been strengthened ensuring longer wear life, performance, and improved reliability.



Ground Level Access to Engine Area Improves Preventative Maintenance

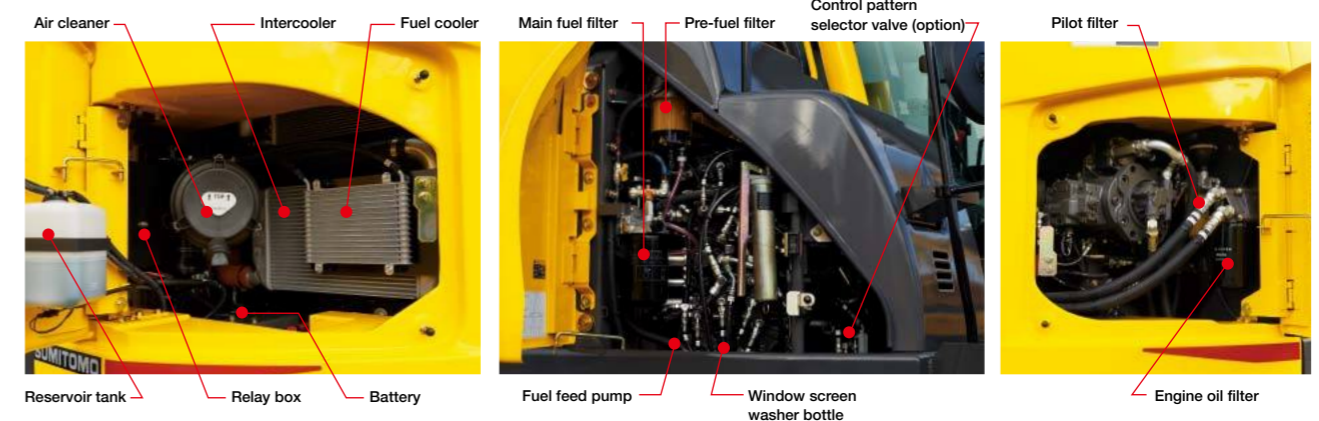
Parts cleaning and maintenance are possible from the ground without climbing onto the upper structure of the excavator body.

• Increased Cooling Capability

With the larger radiator and oil cooler, cooling capacity is increased, thus improving reliability. In addition, cleaning of the dust-proof net is simplified.

• Easy Filter Replacement

A fuel prefilter and clogging sensor to the main fuel filter are provided as standard equipment to reduce trouble due to fuel clogging. In addition, the fuel and oil filters are installed at ground-accessible location to facilitate replacement.



High-Performance Return Filter

The hydraulic oil change interval is 5,000 hours, and the return filter change interval is 2,000 hours. One high performance return filter keeps the same level of filtering as a nephron.



Easy Access to A/C Filter

The air intake filter is located in a lockable compartment to make it easier to replace, and access to the inside cab filter has been simplified.



• Hydraulic oil change: **5,000 hours**

• Life of filter: **2,000 hours**

* The oil and filter change interval varies depending on the working conditions.

Fuse Box Location

The fuse box has been located in a separate compartment behind the seat, allowing easier access.



Cab Floor Mat



The washable floor mat has been redesigned for ease of removing and cleaning.



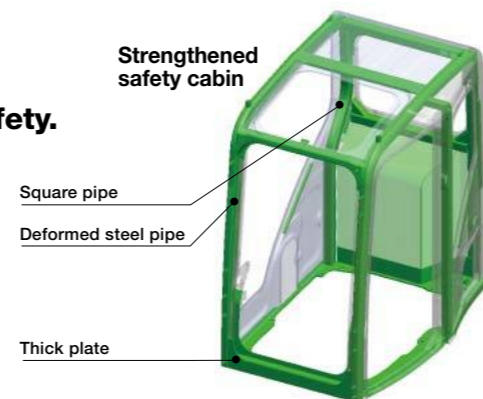


Safety and Operator Comfort

Planning for safety in the event of a roll accident, a new strengthened safety cabin has been provided. The reinforced cabin greatly increases the operator's safety.

Newly Designed Strengthened Safety Cabin

The optimised design and strengthened parts increase the overall cabin strength. Even if the shovel were to tip over, the safety of the operator is ensured by keeping cabin deformation to a minimum.



Wide View Increases Safety of Work

In addition to the wide front view, the upper view has been widened to enhance work safety.

Rearview Camera (option)

With the rearview camera, the operator can view the image on the large LCD monitor. A side camera is available as an option and up to two different images can be displayed on the monitor.



Side camera (option)



Rearview camera (option)

Safe and Easy Entry into and Exit from the Cab

A large handrail for easy opening/closing of the door and increased floor space permit the operator to get in and out of the cab easily.



Easy Access to the Upper Structure



New larger front-right step



ISO-compliant large handrail



Non-slip plate **SUMITOMO** UNIQUE DESIGN

Rearview Mirror

The rearview mirrors reduce blind spots during operation. ISO compliant mirrors also available as option.



Front/Side mirror



Rearview mirrors

Safety Equipment



Anti-theft alarm system



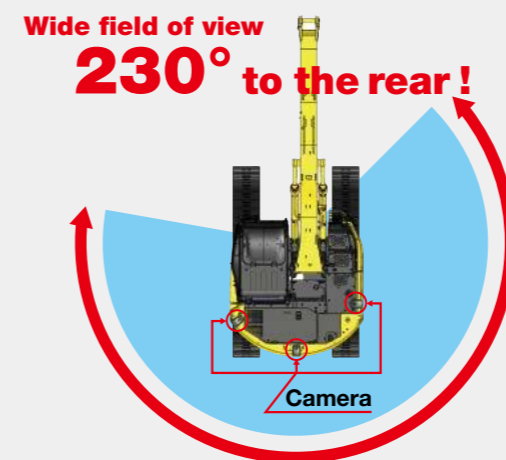
Emergency stop switch

FVM for Greater Worksite Safety (option) **SUMITOMO** UNIQUE DESIGN

As an additional option, the monitor can be upgraded to Sumitomo's proprietary FVM (Field View Monitor), which provides a clear, top-down view of the excavator around to 230° during the day and at night. This makes it so much easier for the operator to monitor the area nearby, enhancing overall safety on worksites. Different camera views can also be toggled on a single monitor.



*The FVM is a support system for checking the safety of the surroundings; it does not prevent collisions with obstructions. Reliance on the FVM during operation should be avoided, and remember to work safely. *FVM is a registered trademark of Sumitomo Heavy Industries.



FVM screen (daytime)



FVM screen (night time)

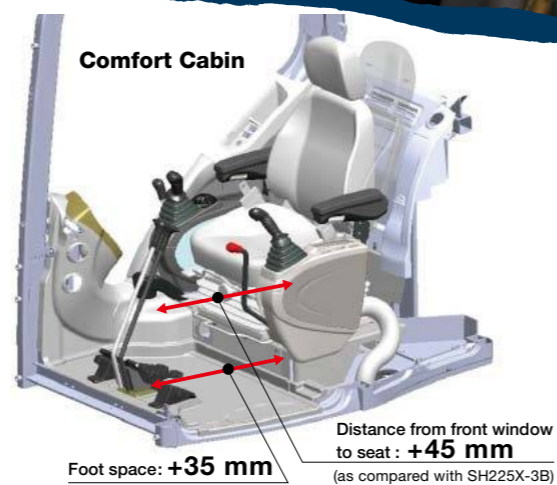
Easy Switching

A single button is used to toggle the image through the top-down view and individual cameras (right side, rear). Safety checks can be made using the desired or appropriate view.



Safety and Operator Comfort

The spacious cab on fluid mounts and reclining suspension seat help reduce operator fatigue and provide a relaxed environment.



Large High-Definition LCD Monitor

A new large high-definition full-colour LCD monitor has been introduced with better visibility and a switch panel which is easy to operate. Added functionality such as ECO gauge showing parameter of energy saving, display of operation status and warning messages, provides accurate information which improves work efficiency and safety.



Indicators

- 1 Working modes
- 2 Travel speed
- 3 Work lights
- 4 Engine idle modes
- 5 Anti-theft
- 6 Attachment selection
- 7 Digital clock
- 8 ECO gauge
- 9 Fuel level gauge
- 10 Engine coolant temperature
- 11 Fuel consumption indicator
- 12 Hydraulic oil temperature
- 13 Power boost
- 14 Radio mute
- 15 Hour meter

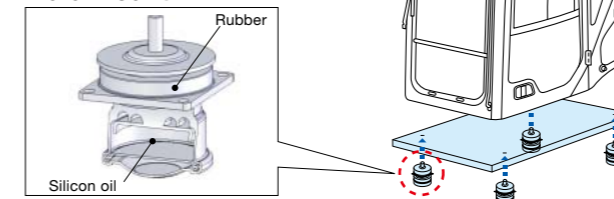
Switch Panel

- A Travel speed button
- B Fuel consumption button
- C Aux. hydraulics settings
- D Computer menu
- E Camera on/off
- F Hour meter / Camera toggle button
- G Window washer control
- H Engine idle mode button
- I Worklights on/off
- J Window wiper control

Super Comfortable Cab Mounts and Pressurised Cab

Fluid mounts that support the cab absorb shocks and vibrations effectively, improving ride comfort. The cab also features a pressurised design to prevent dust from entering inside, giving operators greater comfort.

Fluid mount



Ample Legroom and Comfortable Seats

Legroom around the cab has been increased for comfortable operations. The operator seat features a head rest and arm rests, and comes with a wide range of seat adjustment functions with a comfortable suspension system.



Comfortable Equipment



Automatic Air Conditioner

An automatic air conditioner is included to keep the cab interior at the ideal temperature. The sealed, pressurised cab helps to increase air conditioner efficiency.



Radio and Speaker with USB Port and MP3 Jack

In addition to the AM/FM radio and dual speaker system with improved sound quality, auxiliary audio port is provided standard for devices such as MP3 players.



Roof Window for Greater Freedom

A new pop-up roof window (made of polycarbonate) with sun shade has been installed for greater comfort.



Under-cab Storage Space

Storage space has been included under the cab for various tools.



Specifications

SH235X-6 Technical Data

Electronic-controlled engine of SPACE 5+ and SIH:S+ with New Hydraulic System Includes: three working modes (SP, H, and A), one-touch/automatic idling system, automatic power-boost, speed assistance system, power-swing system.

Engine

SH235X-6	
Model	ISUZU GI-4HK1X
Type	Water-cooled, 4-cycle diesel, 4-cylinder in line, high pressure common rail system (electric control), turbocharger with air-cooled intercooler.
Rated output	117.3 kW (159.5 PS) at 1,800 min ⁻¹ (rpm)
Maximum torque	608 N·m at 1,500 min ⁻¹ (rpm)
Piston displacement	5.193 ltr
Bore and stroke	115 mm x 125 mm
Starting system	24 V electric motor starting
Alternator	24 V, 50 A
Fuel tank	320 ltr
Air filter	Double element

Hydraulic pumps

Two variable displacement axial piston pumps provide power for boom/arm/bucket, swing, and travel. One gear pump for pilot controls.

SH235X-6	
Maximum oil flow	2 x 211 ltr/min
Pilot pump max.oil flow	18 ltr/min

Hydraulic motors

For travel: Two variable displacement axial piston motors.
For swing: One fixed displacement axial piston motor.

Working circuit pressure

Boom/arm/bucket34.3 MPa (350 kgf/cm²)
Boom/arm/bucket36.8 MPa (375 kgf/cm²) with auto power-up
Swing circuit29.4 MPa (300 kgf/cm²)
Travel circuit34.3 MPa (350 kgf/cm²)

Control valve

With boom/arm holding valve
One 4-spool valve for right track travel, bucket, boom and arm acceleration
One 5-spool valve for left track travel, auxiliary, swing, boom acceleration and arm
One 1-spool valve for blade

Oil filtration

Return filter 6 microns
Pilot filter 8 microns
Suction filter 105 microns

Hydraulic cylinders

Cylinder	Q'ty	Bore x Rod Diameter x Stroke
Boom	2	120 mm x 85 mm x 1,370 mm
Arm	1	140 mm x 100 mm x 1,460 mm
Bucket	1	120 mm x 85 mm x 1,010 mm
Blade	2	130 mm x 80 mm x 260 mm

Double-acting, bolt-up type cylinder tube-end; hardened steel bushings installed in cylinder tube and rods ends.

Cab & controls

The cabin is mounted on four fluid mountings. Features include safety glass front, rear and side windows, adjustable upholstered suspension seat with headrest and armrest, cigarette lighter, pop-up skylight window, and intermittent wiper with washer.
The front window slides upward for storage and the lower front window is removable. Built-in type full-colour monitor display. Membrane switch on monitor display.

Swing

Planetary reduction is powered by an axial piston motor. The internal ring gear with has a grease cavity for pinion. The swing bearing is a single-row shear type ball bearing. Dual stage relief valves are used for smooth swing deceleration and stops. A mechanical disc swing brake is included.

SH235X-6	
Swing speed	0~11.8 min ⁻¹ (rpm)
Tail swing radius	1,720 mm
Swing torque	64.0 kN·m (6,526 kgf·m)

Undercarriage

An X-style carbody is integrally welded for strength and durability. The grease cylinder track adjusters have shock absorbing springs. The undercarriage has lubricated rollers and idlers.

Type of shoe: sealed link shoe

Upper rollers -

Heat treated, mounted on steel bushings with leaded tin bronze casting, sealed for lifetime lubrication.

Lower rollers -

Heat treated, mounted on steel bushings with leaded tin bronze casting, sealed for lifetime lubrication.

Track adjustment -

Idler axles adjusted with grease cylinder integral with each side frame; adjustment yoke mechanism fitted with heavy duty recoil spring.

Number of rollers and shoes on each side

SH235X-6	
Upper rollers	2
Lower rollers	7
Track shoes	46

Travel system

Two-speed independent hydrostatic system with compact axial motors for increased performance. Hydraulic motor powered output shaft coupled to a planetary reduction unit and track sprocket. All hydraulic components mounted within the width of side frame.
Travel speed can be selected by switch panel on the monitor display. Hydraulically released disc parking brake is built into each motor.

SH235X-6		
Travel speed	High	5.0 km/h
	Low	3.2 km/h
Drawbar pull	201 kN (20,496 kgf)	

Lubricant & coolant capacity

SH235X-6	
Hydraulic system	252 ltr
Hydraulic oil tank	114 ltr
Fuel tank	320 ltr
Cooling system	30.9 ltr
Final drive case (per side)	5.0 ltr
Swing drive case	5.0 ltr
Engine crank case	23.1 ltr

Auxiliary hydraulic system

SH235X-6			
Auxiliary piping type (option)	For Breaker	For Double (breaker & crusher) acting	For D/A + Second option line
Arm type	STD	HD	HD
Bucket linkage type	HD	HD	HD
Auxiliary hydraulic pump flow	211 ltr/min	422 ltr/min	422+73 ltr/min

Bucket

Options and specifications may differ depending on countries and regions

Model	SH235X-6											
Bucket capacity (ISO/SAE/PCSA heaped)	0.50 M3	0.80 M3		0.80 M3		0.90 M3		1.00 M3		1.10 M3		
Bucket capacity (CECE heaped)	0.45 M3	0.70 M3		0.70 M3		0.80 M3		0.90 M3		0.90 M3		
Bucket type	STD	STD	Level-pin	Heavy duty	Heavy duty Level-pin	Heavy duty Super-V	STD	Level-pin	STD	Level-pin	STD	
Number of teeth	3	5		5		5		6		6		
Width unit: mm	With side cutter	830	1,130		1,136		1,230		1,360		1,460	
	Without side cutter	730	1,030		1,036		1,130		1,260		1,360	
Weight unit: kg	2.40 m arm	523	654	639	730	726	736	694	674	747	729	780
	2.94 m arm	●	●	●	●	●	●	○	○	○	○	○
Combination	2.40 m arm	●	●	●	●	●	●	○	○	○	○	○
	2.94 m arm	●	○	○	○	○	○	○	○	○	○	○

○ Suitable for materials with density up to 2,000 kg/m³ or less

○ Suitable for materials with density up to 1,600 kg/m³ or less

● Standard bucket (suitable for materials with density up to 1,800 kg/m³ or less)

Weight & Ground Pressure

Model	SH235X-6			
Shoe type	Shoe width	Overall width	Operating weight	Ground pressure
Triple grouser shoe	600 mm	2,990 mm	25,100 kg	56 kPa
	700 mm	2,990 mm	25,300 kg	49 kPa
	800 mm	3,000 mm	25,600 kg	43 kPa

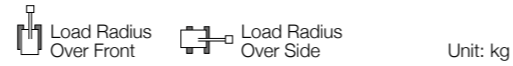
Digging Force

Model	SH235X-6		
Arm length	2.40 m		2.94 m
Bucket digging force <with power boost>	ISO 6015	142 kN <152 kN>	142 kN <152 kN>
	SAE: PCSA	127 kN <136 kN>	127 kN <136 kN>
Arm digging force <with power boost>	ISO 6015	123 kN <132 kN>	103 kN <110 kN>
	SAE: PCSA	119 kN <127 kN>	100 kN <107 kN>

Lifting Capacity

Notes: 1. Ratings are based on ISO 10567

- Lifting capacity does not exceed 75% of tipping load with the machine on firm, level ground or 87% full hydraulic capacity.
- The load point is a hook (not standard equipment) located on the back of the bucket.
- *Indicates load limited by hydraulic capacity.
- 0 m = Ground.



Unit: kg

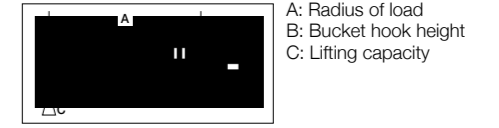
SH235X-6		UNDERCARRIAGE : STD BOOM : 6.15 (m)		SHOE : 600 (mm)G BUCKET : SAE/PCSA 0.9 (m³)		ARM LENGTH : 2.40 (m) MAXIMUM REACH : 9.37 (m)		BLADE : Up												
Bucket Hook Height	Max. Radius		9 m		7.5 m		6 m		4.5 m		3 m		1.5 m		Min. Radius					
	(kg)	(m)	(kg)	(m)	(kg)	(m)	(kg)	(m)	(kg)	(m)	(kg)	(m)	(kg)	(m)	(kg)	(m)				
9 m	3 760*	5.32	3 760*	5.32					3 510*	3 510*					2 140*	4.14	2 140*	4.14		
7.5 m	3 280*	7.08	3 280*	7.08					4 410*	4 410*	3 660*	3 660*			3 560*	4.31	3 560*	4.31		
6 m	3 120*	8.12	2 730	8.12			4 470*	3 200	4 950*	4 700	5 170*	5 170*			5 280*	3.95	5 280*	3.95		
4.5 m	3 100*	8.72	2 330	8.72			4 740	3 120	5 500*	4 570	6 660*	6 660*	8 410*	8 410*	7 960*	1.74	7 960*	1.74		
3 m	3 190*	9.00	2 140	9.00	3 200*	2 140	4 610	2 990	6 420*	4 310	8 540*	6 770	10 160*	10 160*	6 340*	2.97	6 340*	2.97		
1.5 m	3 330	9.00	2 090	9.00			4 480	2 860	6 390	4 070	9 950*	6 270			6 150*	3.16	6 150*	3.16		
0 m	3 460	8.72	2 180	8.72			4 370	2 760	6 200	3 900	9 870	5 980	7 690*	7 690*	5 710*	2.57	5 710*	2.57		
-1.5 m	3 840	8.16	2 420	8.16			4 360	2 750	6 130	3 840	9 830	5 960	11 310*	11 220	8 200*	8 200*	5 530*	0.93	5 530*	0.93
-3 m	4 650	7.25	2 950	7.25					6 210	3 930	9 670*	6 070	13 820*	11 930	11 280*	11 280*	9 740*	0.92	9 740*	0.92
-4.5 m	5 040*	5.87	4 190	5.87							7 770*	6 300	10 930*	10 930*	15 310*	1.77	15 310*	1.77		

SH235X-6		UNDERCARRIAGE : STD BOOM : 6.15 (m)		SHOE : 600 (mm)G BUCKET : SAE/PCSA 0.9 (m³)		ARM LENGTH : 2.40 (m) MAXIMUM REACH : 9.37 (m)		BLADE : Down												
Bucket Hook Height	Max. Radius		9 m		7.5 m		6 m		4.5 m		3 m		1.5 m		Min. Radius					
	(kg)	(m)	(kg)	(m)	(kg)	(m)	(kg)	(m)	(kg)	(m)	(kg)	(m)	(kg)	(m)	(kg)	(m)				
9 m	3 760*	5.32	3 760*	5.32					3 510*	3 510*					2 140*	4.14	2 140*	4.14		
7.5 m	3 280*	7.08	3 280*	7.08					4 410*	4 410*	3 660*	3 660*			3 560*	4.31	3 560*	4.31		
6 m	3 120*	8.12	2 860	8.12			4 470*	3 340	4 950*	4 850	5 170*	5 170*			5 280*	3.95	5 280*	3.95		
4.5 m	3 100*	8.72	2 440	8.72			4 960*	3 260	5 500*	4 760	6 660*	6 660*	8 410*	8 410*	7 960*	1.74	7 960*	1.74		
3 m	3 190*	9.00	2 250	9.00	3 200*	2 250	5 330*	3 130	6 420*	4 510	8 540*	7 090	10 160*	10 160*	6 340*	2.97	6 340*	2.97		
1.5 m	3 390*	9.00	2 200	9.00			5 750*	3 000	7 220*	4 260	9 950*	6 570			6 150*	3.16	6 150*	3.16		
0 m	3 740*	8.72	2 290	8.72			5 930*	2 900	7 630*	4 090	10 550*	6 280	7 690*	7 690*	5 710*	2.57	5 710*	2.57		
-1.5 m	4 360*	8.16	2 550	8.16			5 830*	2 890	7 610*	4 030	10 420*	6 260	11 310*	11 310*	8 200*	8 200*	5 530*	0.93	5 530*	0.93
-3 m	5 130*	7.25	3 100	7.25					7 090*	4 120	9 670*	6 370	13 820*	12 550	11 280*	11 280*	9 740*	0.92	9 740*	0.92
-4.5 m	5 040*	5.87	4 380	5.87							7 770*	6 570*	10 930*	10 930*	15 310*	1.77	15 310*	1.77		

SH235X-6		UNDERCARRIAGE : STD BOOM : 6.15 (m)		SHOE : 600 (mm)G BUCKET : SAE/PCSA 0.8 (m³)		ARM LENGTH : 2.94 (m) MAXIMUM REACH : 9.85 (m)		BLADE : Up												
Bucket Hook Height	Max. Radius		9 m		7.5 m		6 m		4.5 m		3 m		1.5 m		Min. Radius					
	(kg)	(m)	(kg)	(m)	(kg)	(m)	(kg)	(m)	(kg)	(m)	(kg)	(m)	(kg)	(m)	(kg)	(m)				
9 m	2 490*	6.23	2 490*	6.23					3 070*	3 070*	2 020*	2 020*			2 140*	4.14	2 140*	4.14		
7.5 m	2 210*	7.75	2 210*	7.75					2 950*	2 950*	4 000*	4 000*			3 280*	4.88	3 280*	4.88		
6 m	2 110*	8.68	2 110*	8.68					4 060*	3 310	4 430*	4 430*			4 420*	4.59	4 420*	4.59		
4.5 m	2 100*	9.23	2 100*	9.23	3 050*	2 270	4 600*	3 210	5 080*	4 700	5 740*	5 740*	4 970*	4 970*	4 720*	2.90	4 720*	2.90		
3 m	2 180*	9.49	1 980	9.49	3 450	2 210	4 710	3 070	6 090*	4 460	7 890*	7 030	10 690*	10 690*	7 600*	2.09	7 600*	2.09		
1.5 m	2 320*	9.48	1 940	9.48	3 370	2 140	4 560	2 930	6 520	4 190	9 590*	6 480	9 690*	9 690*	3 960*	2.35	3 960*	2.35		
0 m	2 560*	9.22	2 010	9.22	3 320	2 090	4 430	2 820	6 280	3 980	10 010	6 100	8 670*	8 670*	3 750*	1.45	3 750*	1.45		
-1.5 m	2 990*	8.70	2 200	8.70			4 360	2 760	6 150	3 860	9 850	5 960	10 840*	10 840*	7 050*	7 050*	5 130*	0.27	5 130*	0.27
-3 m	3 750*	7.88	2 590	7.88			4 440	2 830	6 190	3 900	9 870	6 030	14 620*	11 810	9 700*	9 700*	7 780*	0.27	7 780*	0.27
-4.5 m	5 100*	6.70	3 380	6.70					6 230	4 130	8 810*	6 230	12 630*	11 920	14 040*	14 040*	12 050*	0.93	12 050*	0.93
-6 m	5 280*	4.61	5 280*	4.61							5 500*	5 500*			7 590*	3.36	7 590*	3.36		

Notes: 1. Ratings are based on ISO 10567

- Lifting capacity does not exceed 75% of tipping load with the machine on firm, level ground or 87% full hydraulic capacity.
- The load point is a hook (not standard equipment) located on the back of the bucket.
- *Indicates load limited by hydraulic capacity.
- 0 m = Ground.



Unit: kg

SH235X-6		UNDERCARRIAGE : STD BOOM : 6.15 (m)		SHOE : 600 (mm)G BUCKET : SAE/PCSA 0.8 (m³)		ARM LENGTH : 2.94 (m) MAXIMUM REACH : 9.85 (m)		BLADE : Down														
Bucket Hook Height	Max. Radius		9 m		7.5 m		6 m		4.5 m		3 m		1.5 m		Min. Radius							
	(kg)	(m)	(kg)	(m)	(kg)	(m)	(kg)	(m)	(kg)	(m)	(kg)	(m)	(kg)	(m)	(kg)	(m)						
9 m	2 490*	6.23	2 490*	6.23					3 070*	3 070*	2 020*	2 020*			2 020*	4.50	2 020*	4.50				
7.5 m	2 210*	7.75	2 210*	7.75					2 950*	2 950*	4 000*	4 000*			3 280*	4.88	3 280*	4.88				
6 m	2 110*	8.68	2 110*	8.68					4 060*	3 450	4 430*	4 430*			4 420*	4.59	4 420*	4.59				
4.5 m	2 100*	9.23	2 100*	9.23	3 050*	2 380	4 600*	3 350	5 080*	4 860*	5 740*	5 740*	4 970*	4 970*	4 720*	2.90	4 720*	2.90				
3 m	2 180*	9.49	2 080	9.49	4 040*	2 320	5 110*	3 210	6 090*	4 650	7 890*	7 280	10 690*	10 690*	7 600*	2.09	7 600*	2.09				
1.5 m	2 320*	9.48	2 040	9.48	4 450*	2 250	5 620*	3 070	6 980*	4 380	9 590*	6 790	9 690*	9 690*	3 960*	2.35	3 960*	2.35				
0 m	2 560*	9.22	2 110	9.22	3 870*	2 200	5 920*	2 960	7 550*	4 170	10 470*	6 400	8 670*	8 670*	3 910*	3 910*	3 750*	1.45	3 750*	1.45		
-1.5 m	2 990*	8.70	2 310	8.70			5 930*	2 890	7 670*	4 050	10 540*	6 270	10 840*	10 840*	7 050*	7 050*	5 130*	0.27	5 130*	0.27		
-3 m	3 750*	7.88	2 720	7.88					5 560*	2 970	7 430*	4 090	10 130*	6 330	14 620*	12 500	9 700*	9 700*	7 780*	0.27	7 780*	0.27
-4.5 m	5 100*	6.70	3 540	6.70							6 310*	4 320	8 810*	6 530	12 630*	12 470*	14 040*	14 040*	12 050*	0.93	12 050*	0.93
-6 m	5 280*	4.61	5 280*	4.61											5 500*	5 500*			7 590*	3.36	7 590*	3.36

SH235X-6		UNDERCARRIAGE : STD BOOM : 6.15 (m)		SHOE : 600 (mm)G BUCKET : SAE/PCSA 0.9 (m³)		ARM LENGTH : 2.94 (m) MAXIMUM REACH : 9.85 (m)		BLADE : Up										
Bucket Hook Height	Max. Radius		9 m		7.5 m		6 m		4.5 m		3 m		1.5 m		Min. Radius			
	(kg)	(m)	(kg)	(m)	(kg)	(m)	(kg)	(m)	(kg)	(m)	(kg)	(m)	(kg)	(m)	(kg)	(m)		
9 m	2 480*	6.17	2 480*	6.17					2 920*	2 920*					2 040*	4.52	2 040*	4.52
7.5 m	2 190*	7.71	2 190*	7.71					2 840*	2 840*	3 980*	3 980*			3 780*	4.83	3 780*	4.83
6 m	2 080*	8.66	2 080*	8.66					4 020*	3 280	4 440*	4 440*			4 450*	4.54	4 450*	4.54
4.5 m	2 070*	9.22	2 070*	9.22	2 970*	2 240	4 620*	3 180	5 010*	4 670	5 660*	5 660*	4 970*	4 970*	4 720*	2.90	4 720*	2.90
3 m	2 140*	9.49	1 960	9.49	3 420	2 180	4 670	3 040	6 050*	4 400	7 910*	6 970	10 980*	10 980*	8 110*	2.21	8 110*	2.21
1.5 m	2 280*	9.48	1 910	9.48	3 350	2 110	4 510	2 890	6 470	4 140	9 630*	6 420	8 850*	8 850*	4 070*	2.46	4 070*	2.46
0 m	2 530*	9.22	1 980	9.22	3 290	2 060	4 390	2 780	6 240	3 9								

Principle Specifications

		SH235X-6
		STD Specifications
Base	Std. operating weight	25,100 kg
	Boom length	5.70 m
	Arm length	2.94 m
	Bucket capacity (ISO heaped)	0.80 M3
	Shoe width	600 mm
Engine	Counterweight	6,900 kg
	Make & model	ISUZU GI-4HK1X
Hydraulic System	Rated output	117.3 kW/1,800 min ⁻¹
	Piston displacement	5.193 ltr
	Main pump	2 variable displacement axial piston pumps with regulating system
	Max oil flow	2 × 211 ltr/min
	Max pressure	34.3 MPa
	/with auto power boost	36.8 MPa
	Travel motor	Variable displacement axial piston motor
	Parking brake type	Mechanical disc brake
	Swing motor	Fixed displacement axial piston motor
	Travel speed	5.0/3.2 km/h
Performance	Drawbar pull	201 kN
	Gradeability	70% <35°>
	Ground pressure	56 kPa
	Max swing speed	11.8 min ⁻¹
	Swing torque	64.0 kN·m (6,526 kgf·m)
	Bucket digging force (ISO 6015)	142 kN
	/with power boost	152 kN
	Arm digging force (ISO 6015)	103 kN
/with power boost	110 kN	
Others	Fuel tank	320 ltr
	Hydraulic oil tank	114 ltr

Standard Equipment

[Hydraulic system]

- SIH:S+ hydraulic system
- Operation mode (SP, H and A mode)
- Automatic 2-speed travel
- Automatic power boost
- Arm/boom/bucket reactivation circuit
- Automatic swing parking system
- High-performance return filter

[Cab/interior equipment]

- Top guard OPG level1 (in cab structure)
- 4-point fluid mounts
- Built-in type full-colour monitor display
- Open air introducing pressurised full-automatic air conditioner
- Defroster
- KAB seat
- Seat suspension
- Armrest & headrest
- Windscreen wiper (with intermittent operation function)
- Cup holder
- AM/FM radio (with muting function and AUX port & USB port)
- Radio mute/ Windscreen wiper one-touch control on joystick
- Clock
- Magazine rack
- Accessory case
- Floor mat
- Ashtray & cigarette lighter
- Cab light (Auto-OFF function)
- Coat hook

[Safety equipment]

- Rearview mirror (left/right)
- Emergency escape tool
- Retracting seat belt
- Gate lock lever
- Travel alarm (with on and off switch)
- Anti-theft alarm system
- Engine room firewall
- Fan guard
- Engine emergency stop switch
- Engine neutral start

[Others]

- Auto/one-touch idling
- Auto idle shutdown system
- EMS
- Long-life hydraulic oil
- Two lights (main unit and left of boom)
- Fuel filter (with water separator)
- Fuel prefilter (with water separator)
- Double-element air cleaner
- Grease-enclosed track link
- Tool box
- A set of tools

Accessories (option)

■ Cab-top lights



■ Rain deflector



■ FVM



■ 12V power (DC-DC converter)



■ Air suspension (KAB seat)



■ Front guard (OPG level 1 or 2)



■ Head guard (OPG level 2)



■ Refuel pump

■ Hose burst check valve (HBCV) for boom/arm cylinders

■ Side camera

■ Rearview camera

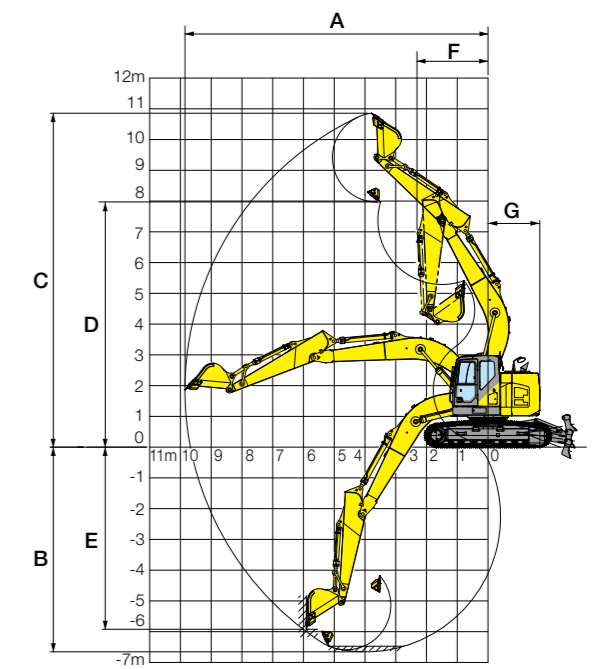
■ ISO compliant guardrail

■ ISO compliant mirror

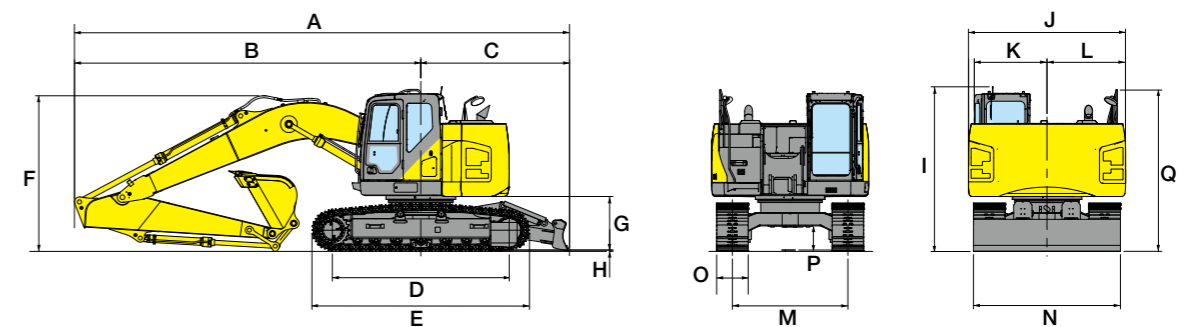
■ ROPS Cabin

Working Range

SH235X-6		
Arm length	2.40m (SHORT)	2.94m (STD)
Boom length	5.70 m	
A Max digging radius	9,370 mm	9,850 mm
B Max digging depth	6,120 mm	6,650 mm
C Max digging height	10,520 mm	10,860 mm
D Max dumping height	7,630 mm	7,970 mm
E Max vertical wall cut depth	5,480 mm	5,920 mm
F Min front swing radius	2,550 mm	2,310 mm
G Tail swing radius	1,680 mm	



Dimensions



Model	SH235X-6	
Arm length	2.40 m	2.94 m
A Overall length	9,520 mm	9,430 mm
B Length from centre of machine (to arm top)	6,690 mm	6,600 mm
C Upper structure rear end radius	2,830 mm	2,830 mm
D Centre to centre of wheels	3,370 mm	3,370 mm
E Overall track length	4,180 mm	4,180 mm
F Overall height (to top of boom)	3,180 mm	2,960 mm
G Clearance height under upper structure	1,020 mm	1,020 mm
H Shoe lug height	26 mm	26 mm
I Overall height (to top of cab)	3,140 mm	3,140 mm
J Upper structure width	2,990 mm	2,990 mm
K Width from centre of machine (left side)	1,390 mm	1,390 mm
L Width from centre of machine (right side)	1,500 mm	1,500 mm
M Track gauge	2,200 mm	2,200 mm
N Lower structure width	2,800 mm	2,800 mm
O Std. shoe width	600 mm	600 mm
P Minimum ground clearance	440 mm	440 mm
Q Overall height (to top of handrail)	3,090 mm	3,090 mm