



YANMAR

CRAWLER CARRIER

C12R-c

[Gross] 7.7kW <10.4HP>





YANMAR

C12R



C12R-c

Robust performance for
all terrains



BUILDING
WITH YOU

Compact and powerful



Machine width:

Standard vessel **950mm** / 3 way dump vessel **960mm**

Maximum payload: **1150kg**

Powerful and High Performance

Equipped with 4 stroke water-cooled diesel engine.
It is renowned for both its power and fuel efficiency.



Engine model

402J-05 IG84557R

Output (Gross)

7.7kW

Robust and durable



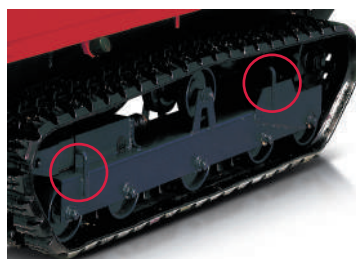
Heavy-duty vessel structure to withstand the toughest job sites.

Bottom plate thickness **4.5mm** / Gate pillar thickness **3.2mm**



Robustness

High quality materials are used in the rear and side frames. They optimize durability and last years. Rear frame is also protected by guard.



Safe Transportation

4 tie down points on the side of undercarriage enable safe transportation.



3 Way Dump Vessel (Optional)

Enables to dump materials on both right and left sides. Improves efficiency with fewer round trips at the job sites. It is ideal for narrow spaces and dumping alongside trenches.

Comfortable operator space



1 Centered Operator Seat

Ensures excellent visibility to load and view on all sides. Easy to reach to all operating controls.



2 Forward / Reverse Switch Lever

A single lever allows effortless shifting between forward and reverse.



3 Driving Pedal

One pedal to operate the carrier as if it is a passenger vehicle.



Walk-through

A walk-through enables operator to get on and off the machine from both sides. It is highly efficient when operating in tight spaces.



Box Shaped Vessel

Sturdy structure with excellent capacity allows to carry various loads.



Easy maintenance and enhanced safety



3-Point Hooks

Equipped with 3-point hooks for safe lifting of carrier.



Wide-Open Engine Bonnet

A large tilting bonnet allows quick access to engine and main components.



Vessel Stopper

The vessel can be locked when raised, allowing for safe inspections and maintenance.



Foldable ROPS*1 Bar

Foldable ROPS bar minimizes the damage in case of an accident. Folds down to allow pass through height restricted passages.

YANMAR's recommended parts

ecoY

GUARANTEED QUALITY & DURABILITY

For Rubber Track spec



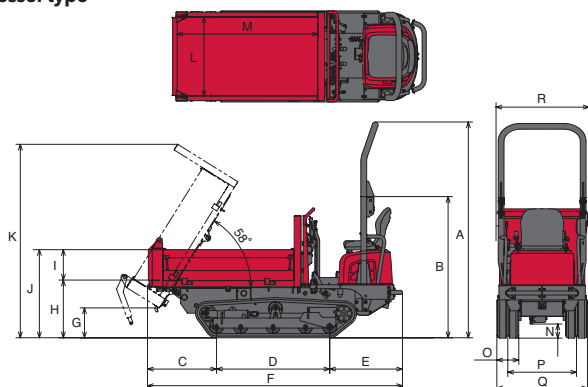
ecoY Rubber Track



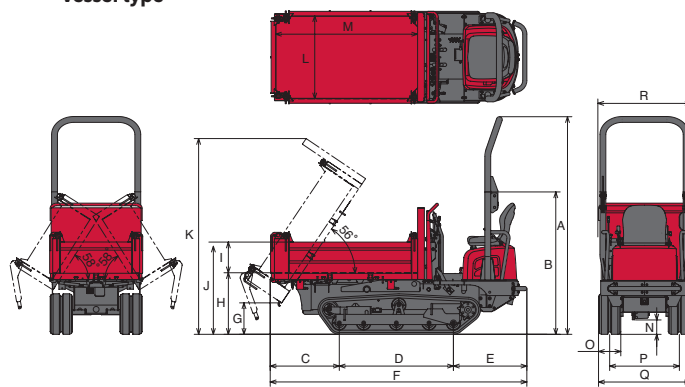
*1 Roll-Over Protective Structure (ROPS): A structure to protect the operator wearing a seat belt, in case the machine rolls over. †

● Dimensions

Standard vessel type



3WD vessel type



Unit: mm (in.)

	A	B	C	D	E	F	G	H	I	J	K	L	M	N	O	P	Q	R
Standard vessel	2250 (88.6)	1470 (57.9)	710 (28.0)	1180 (46.5)	760 (29.9)	2650 (104.3)	310 (12.2)	600 (23.6)	320 (12.6)	920 (36.2)	2015 (79.3)	830 (32.7)	1470 (57.9)	150 (5.9)	230 (9.1)	720 (28.3)	950 (37.4)	950 (37.4)
3WD vessel	2250 (88.6)	1470 (57.9)	710 (28.0)	1180 (46.5)	760 (29.9)	2650 (104.3)	325 (12.8)	635 (25.0)	315 (12.4)	950 (37.4)	2025 (79.7)	860 (33.9)	1470 (57.9)	150 (5.9)	230 (9.1)	720 (28.3)	950 (37.4)	960 (37.8)

● Specifications

MODEL		C12R-C			
TYPE		Standard vessel	3 way dump vessel		
WEIGHT	Operating weight	kg (lbs.)			
		1010 (2227)	1100 (2426)		
ENGINE	Type	Vertical 2-cylinder water-cooled diesel engine			
	Model	402J-05 IG84557R			
	Rated output	Gross	kW (HP) / rpm		
		Net	kW (HP) / rpm		
Displacement	cu.cm (cu.in.)				
TRANSMISSION	Type	Hydrostatic & Reduction gear			
PERFORMANCE	Max. travel speed	km/h (mph)			
	Gradeability	degrees			
	Maximum payload	kg (lbs.)			
DUMPING SYSTEM	Dumping angle	Rear	degrees	58	56
		Side	degrees	-	58
	Dumping clearance	mm (in.)		310 (12.2)	325 (12.8)
	Vessel dimensions, L x W x H	mm (in.)		1470 x 830 x 320 (57.9 x 32.7 x 12.6)	1470 x 860 x 315 (57.9 x 33.9 x 12.4)
	Vessel capacity	Struck	cu.m (cu.ft.)	0.40 (14.1)	
Heaped		cu.m (cu.ft.)	0.52 (18.4)		
UNDERCARRIAGE	Track width	mm (in.)		230 (9.1)	
	Min. ground clearance	mm (in.)		150 (5.9)	
	Ground pressure	Unloaded	PSI (kPa)	18.6 (2.70)	19.6 (2.84)
Loaded		PSI (kPa)	39.2 (5.68)	40.2 (5.83)	
TANK CAPACITY	Fuel tank	L (gal)		14.5 (3.83)	
	Engine oil	L (gal)		1.7 (0.45)	
	Hydraulic oil, tank / other parts	L (gal)		14.0 (3.70) / 2.5 (0.66)	
	Coolant, radiator	L (gal)		1.6 (0.42)	

All data are subject to change without notice. Note that the standard equipment may vary. Consult your YANMAR dealer for confirmation.

YANMAR COMPACT EQUIPMENT



yanmar.com

Printed in Japan
031D0-G01311 2208