



# SCC2500TB

## Telescopic Boom Crawler Crane 250 Tons Lifting Capacity

Quality Changes the World



**Max. lifting moment: 860t·m**  
**Max. boom length: 75.4m**  
**Max. boom+jib length: 75.4m+43m**

The parameters and diagrams in the brochure is only for reference, which is subject to further update in real machine.

■ [www.sanyglobal.com](http://www.sanyglobal.com)



## Telescopic Boom Crawler Crane SCC2500TB

P03

Main characteristics

- Upperworks
- Lowerworks
- Operation Equipment
- Safety Device

P08

Technical parameters

- Major Performance & Specifications
- Outline Dimension
- Transport Dimension
- Transport Plan

P13

Cofigurations

- Working range of H



**SCC2500TB**  
**TELESCOPIC BOOM CRAWLER CRANE**  
**250 TONS LIFTING CAPACITY**

QUALITY CHANGES THE WORLD

## Main Characteristics

- Page 04 Upperworks
- Page 06 Lowerworks
- Page 06 Operation equipment
- Page 07 Safety Devices



## Product Specification



### Engine

- Model: DCEC (Cummins China) QSL8.9-C325 Diesel engine
- Type: four-stroke, water cooling, vertical 6-cylinder, direct injection, turbo supercharging, inter-cooling, Meet Off-highway Emission Regulation of Europe (Tier III), and comply with Off-highway Emission Regulation of China (Tier III);
- Displacement: 8.9L;
- Rated power: 242kW/2100rpm;
- Maximum torque: 1385N · m/1500rpm;
- Starting device: 24V-7.5kW;
- Radiator: fine type aluminum plate core;
- Air filter: dry type air filter system, fitted with main filter element, safety filter element and resistance indicator;
- Hand throttle: rotary type hand throttle, electrically controlled;
- Fuel filter: replaceable paper filter element;
- Batter: two 12Vx165Ah capacity batteries, connected in series;
- Fuel tank: 450L.

### Electrical Control System

- Adopt SYIC-II integrated control system independently researched and developed by Sany. This system is featured by high integration level, accurate operation and reliable quality;
- Control system: composed of power system, engine system, main control system, Load Moment Limiter, auxiliary system and safety monitoring system. Data communication among controller, display and engine is conducted by CAN bus technology;
- Display: It can display the engine rotating speed, fuel volume, engine oil pressure, servo pressure, wind speed, engine working time, load weight, boom angle and other working parameters and working conditions.

### Hydraulic System

- Main pump: adopt open piston pump with large variable displacement;
- swing pump: variable close piston pump for swing;
- Control: the main piston pump of variable displacement, winch piston motor of limitless variable displacement, control system of hydraulic positive flow;
- Way of cooling: heat exchanger, fan core and multi-stage cooling;
- Filter: large flow, high accuracy filter, with bypass valve and indicator, which can remind the user to replace the filter element in time;
- Max. pressure of system:  
Main load, aux. load, and travel system: 32MPa;  
Boom hoist cylinder lifting: 32MPa;  
Swing system: 24MPa;  
Control system: 4.5MPa.
- Hydraulic oil tank capacity: 1000L.

### Main and aux. load hoist mechanism

- Pump and motor: dual-placement speed controlled energy-efficient, combination of winch balance valve and anti-hook sliding technology, lifting or lowering the load steadily;
- Winch brake adopts concealed, normally closed, wet type and spring loaded fin type normally engaged brake, spring force braking, oil pressure released;
- Branded anti-self-rotating high-strength steel rope;
- Main and aux. load hoist winches adopt piston motor of fixed displacement to drive planetary reducer.

Main lifting mechanism	Rope speed (outermost layer)	0~140m/min
	Diameter of wire rope	Φ22mm
	Overall length of wire rope	350m
	Rated tensile force of single rope	10.5t
Auxiliary lifting mechanism	Rope speed (outermost layer)	0~140m/min
	Diameter of wire rope	Φ22mm
	Overall length of wire rope	280m
	Rated tensile force of single rope	10.5t

### Boom hoist mechanism

- Double acting single piston rod hydraulic cylinder, fitted with safety balance valve, luffing angle: -0.5°~80°, adopting dead-weight luffing system to reduce the energy consumption and improve the steadiness of luffing operation.

### Swing mechanism

- Swing brake adopts concealed, normally closed, wet type and spring loaded fin type normally engaged brake, spring force braking oil pressure released;
- With integrated cushion valve, the swing system has free slip function to realize steady swing start and control, showing outstanding microinching performance;
- Unique swing cushion design ensures more stable braking;
- Swing drive: external gearing swing drive, capable of conducting 360° rotation, maximum rotation speed 1.5r/min. The maximum driving pressure can reach 20MPa, providing torque of 15.91 t·m;
- Branded motor reducer, more reliable;
- Swing lockout: locking device, to ensure that the superstructure can be locked in front and rear directions conveniently and reliably during off-work time and transportation;
- Swing bearing: single row ball type bearing.



## Product Specification

### Counterweight

- The easily self-assembled and self-disassembled counterweights facilitate transport;
- The counterweights and trays pile up, conducting easy assembly, disassembly, and transport;
- Rear counterweight: Total weight: 60 t, performing self-assemble and self-disassemble function;
- Carbody counterweight: fitted at front and rear of carbody, 10t\*2.

### Superstructure

- High strength steel welding frame structure, no torsional deformation, reasonable component layout, and convenient maintenance service.

### Cab and Control

- Novelty in cab design, artistic modeling and trim and large area glass window; fitted with low beam headlamp and rearview mirror to broaden horizon; installed with air conditioner and radio; the arrangement of seats, control handle and various control buttons is ergonomically designed to enable more conformable operation;
- Cab layout: Integrated touch screen of 10.4 inch, programmable smart buttons vibration handles are offered as optional and man-machine interaction interface are more perfect;
- Armrest box: operation handle, electrical switch, emergency stop switch and ignition switch are installed on the left and right armrest boxes. The armrest box can be adjusted with the seat;
- Seat: suspension type multi-mode multi-level regulated seat, fitted with unloading switch;
- Air conditioner: cooling and heating air, optimized air passage and air port;
- Multiple cameras can be presented on the monitor at the same time to realize real-time monitoring of wire rope on each winch, conditions behind the counterweight and surrounding the machine.

### Traveling drive

- Independent traveling drive device is adopted for each side of crawler frame, so as to realize straight travel, turning through reducer and drive wheel by travel motor;
- Traveling speed: The traveling can be switched between high speed and low speed, and the high speed can be up to 2.0km/h; Gradeability: 30%.

### Traveling braking

- Concealed wet type and spring loaded fin type normally engaged brake, spring force braking, oil pressure released.

### Telescopic crawler

- Pressure of 25MPa by aux. system pushes the cylinder to realize the extension and retracting of the crawlers. The crawlers are extended at work and retracted for transport with the whole basic machine.

### Crawler tensioning

- The Jack pushes the guiding wheel and insert shims to adjust the crawler tension.

### Steering system

- It can realize single track turning and pivot turning.

### Track shoe

- High-strength alloy milled steel prolongs the service life of track shoes. Width 1100mm.

### Track roller

- Maintenance-free track roller.

### Outrigger

- Outrigger cylinder is offered to facilitate the track frame disassembly during jobsite transfer.

## Product Specification



### Main boom

- The boom is made of high-strength steel structure with U-shape section area, with five sections, of which the basic boom is 14.4m and the max. boom length is 75.4m;
- Full power with single cylinder and plug for telescoping.

### Fixed jib

- fixed jib length of 43m;
- Installation angle includes 0°, 15° and 30°.

### Boom tip pulley

- Welding structure, connected with the boom through pin, and used for auxiliary hook operation.

### Lifting hook

Name	Capacity(t)	Pulley block	Weight(t)	Quantity
1	160	9	2.2	Optional
2	130	7	1.5	1
3	100	5	1.2	1
4	80	3	1	1
5	50	2	0.84	1
6	12.5	0	0.45	1

Note: the above-mentioned operating equipment is full-up configuration. The actual configurations are subject to contract.

## Safety Device



### Smart Integrated Load Moment Indicator

- The integrated LMI system is provided as standard offering to realize calibration-free and high safety and efficiency for equipment control to realize calibration-free and high safety and efficiency for equipment control;
- Based on lifting mechanics modes, the LMI computing system enables the loading precision, by no-loading calibration, to 0-10% and protects loading operation all-around; The system alarms once over-loaded to ensure safety;
- The LMI system can automatically detect the suspended load weight, working radius of the crane and the angle of boom, and compare rated load weight and actual load, working radius and boom angle. Under normal operation condition, it can intelligently judge and automatically cut off the crane action in dangerous direction, and have black box function to record the overload information;
- Its main components include: monitor, controller, length and angle sensor, pressure sensor, etc.

### Assembly/working mode switching switch

- In Assembly Mode, certain safety devices are disabled to facilitate crane assembly;
- In Work Mode, all safety limiting devices activate to protect the operation.

### Emergency Stop

- In emergency situation, this button is pressed down to cut off the power supply of the whole machine and all actions stop.

### Over-hoist Protection of the Main/Auxiliary Load Hoist

- Height limiter is equipped on the boom/jib tip, which prevents the hook lifting up too much. When the hook is lifted up to the limit height, the limit switch activates, alarm pops up on the monitor, buzzer on the right front control panel sends alarm, failure indicator light starts to flash and the hook hoisting action is cut off automatically.

### Over-release Protection of the Main/Auxiliary Load Hoist

- Three-wrap protector is installed on main and aux. load hoist to prevent over-release of wire rope. When the rope is paid out close to the last three wraps, the limit switch acts, and the system sends alarm through buzzer and show the alarm on the monitor, automatically cutting off the winch action.



## Safety Device

### Function Lock

- If the function lock level is not in work position, all the other handles won't work, which prevents any mis-operation caused by accidental hitting.

### Slewing Lock

- Mechanical lock by pulling the pin, will lock the upperworks at the front part and the rear.

### Hook Latch

- The lifting hook is installed with a baffle plate to prevent wire rope from falling off.

### GPS Monitoring System

- Standard remote monitoring system: It can provide functions like GPS locating, GPRS data transfer, machine status inquiry and statistics, operating data monitoring and analysis, and remote diagnosis of failures.

### Tri-color Load Indicator

- The load indicator light has three colors, i.e., green, yellow and red; and the real time load status is presented on the display. When the actual load is smaller than 90% of rated load, the green light is on; when the actual load is larger than 90% and smaller than 100%, the yellow light is on, the alarm light flashes and sends out intermittent sirens; when the actual load reaches 100% of rated load, the red light is on, the alarm light flashes and sends out continuous sirens. When the actual load reaches 102%, the system will automatically cut off the crane's dangerous operation.

### Flash Alarm

- When the LMI is powered on, the flash alarm will turn on.

### Swing Indicator Light

- The swing indicator light flashes during traveling or swing.

### Seat Interlock

- If the operator leaves the seat, all control handles and switches will be disabled immediately to prevent any mis-operation due to accidental collision.

### Illuminating Light

- The machine is equipped with short-beam light in front of machine, lamps in operator's cab and lighting devices for night operation, as well as boom lights, so as to increase the visibility during work.

### Rearview Mirror

- It is installed at the front of the operator's cab, at the right handrail of the platform and near the winches.

### Level Indicator

- Electrical level indicator can show the inclination angle of superstructure on the monitor.

### Closed Circuit Monitoring System

- There are two cameras and illuminating lights on the tail of rotating bed, which can show the rear part and winches working on the machine.

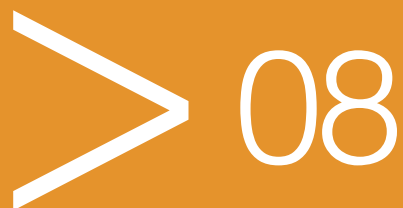


**SCC2500TB**  
**TELESCOPIC BOOM CRAWLER CRANE**  
**250 TONS LIFTING CAPACITY**

QUALITY CHANGES THE WORLD

## Technical Parameters

- Page 09 Major Performance & Specifications
- Page 10 Outline Dimension
- Page 11 Transport Dimension
- Page 13 Transport Plan

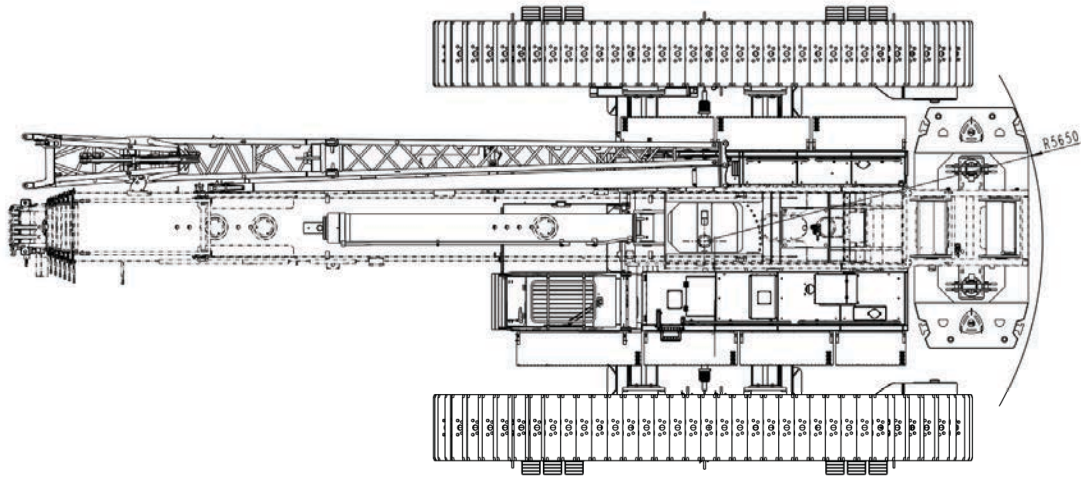
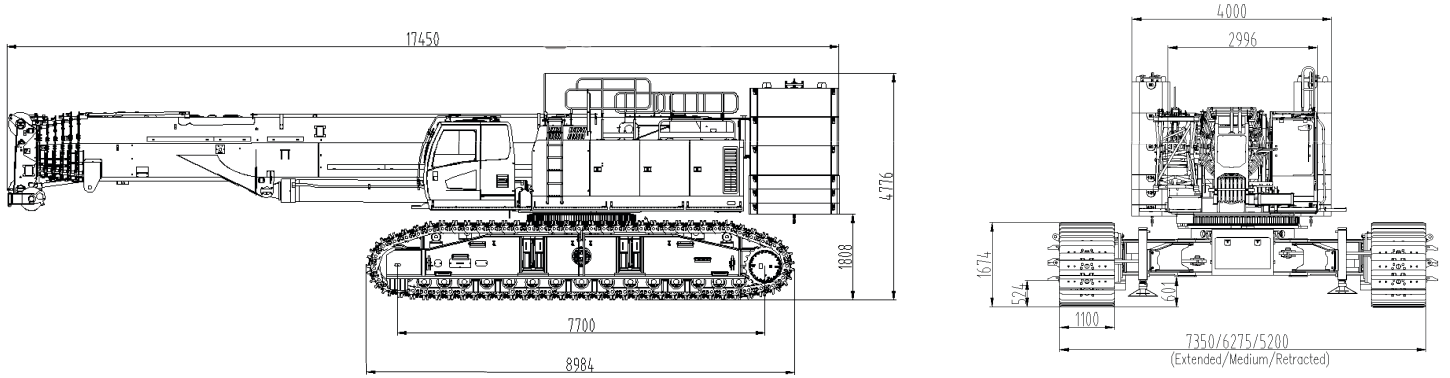




## Major Performance & Specifications

Major Performance & Specifications of SCC2500TB			
Specification		Unit	Parameter
Outline dimension	Full length of the whole crane	mm	17450
	Width of the whole machine (retracted)	mm	7350(5200)
	Height of the whole machine	mm	4776
	Center distance of driving and engaged wheels	mm	7700
	Width of track shoe	mm	1100
H (main boom) configuration	Maximum rated lifting weight	t	250
	Main boom length	m	14.4~75.4
	Main boom angle	°	-0.5°~80°
	Maximum rated lifting moment	t·m	860
FJ(fixed jib) configuration	Longest main boom + longest jib	m	75.4+43
	Included angle between main boom and jib	°	0°, 15°, 30°
Working speed	Main/aux. load hoist rope speed	m/min	0~140
	Time to fully boom up/down	s	75/110
	Slewing speed	rpm	0~1.5
	No-load traveling speed	km/h	0~2.0
Engine	Model	/	QSL8.9-C325
	Rated power/speed	kW/rpm	242/2100
Wire rope	Diameter	mm	Φ22
	Weight of the whole machine	t	190
Transportation parameters	Maximum weight of single piece transportation	t	60(main body)
	Transportation dimension (long x width x height)	mm	17450×3000×3300
Other Parameters	Average ground bearing pressure	MPa	0.12
	Min. swing radius	mm	5650

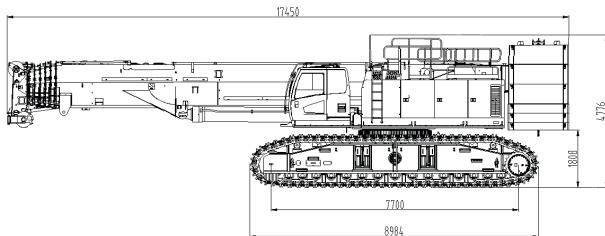
**Outline Dimension**



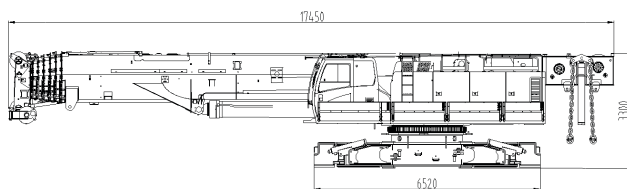
## Transport Dimension

**Note:**

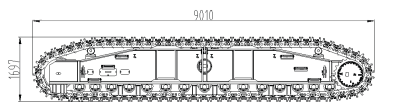
- ① . The component transportation dimension is schematic diagram, and is not drawn to scale. The marked dimension is design value, excluding the package.
- ② . The weight is design value, which may be slightly different because of manufacturing tolerance. Total rear counterweight: 36t, total carbody counterweight:12t.
- ③ . After product upgrading of the Company, the outline dimension and weight of the components above may vary, and the new product shall prevail.



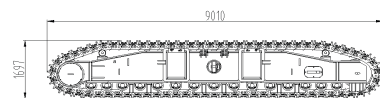
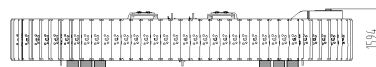
Whole Machine		×1
Length (L)	17.45m	
Width (W)	5.1m	
Height (H)	4.78m	
Weight	190.0t	



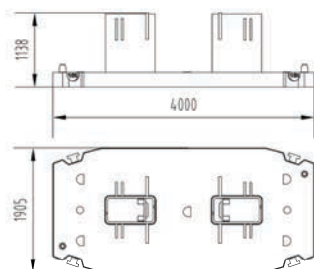
Basic Machine (with jib)		×1
Length (L)	17.45m	
Width (W)	3.00m	
Height (H)	3.30m	
Weight	60.0t	



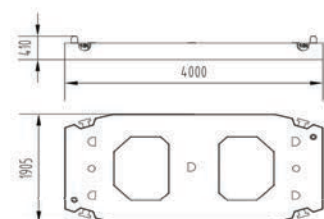
Left crawler		×1
Length (L)	9.01m	
Width (W)	1.60m	
Height (H)	1.70m	
Weight(t)	23.0t	



Right crawler (2-bar track shoe)		×1
Length (L)	9.01m	
Width (W)	1.60m	
Height (H)	1.70m	
Weight(t)	23.0t	

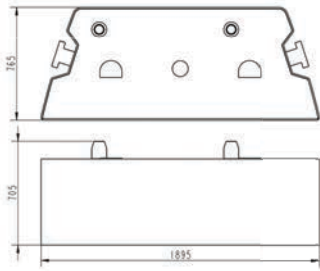


Counterweight tray		×1
Length (L)	4.00m	
Width (W)	1.91m	
Height (H)	1.14m	
Weight	10.0t	

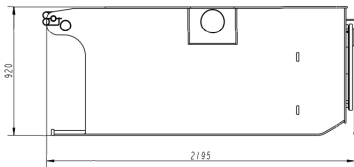


Rear counterweight		×2
Length (L)	4.00m	
Width (W)	1.91m	
Height (H)	0.41m	
Weight	10t	

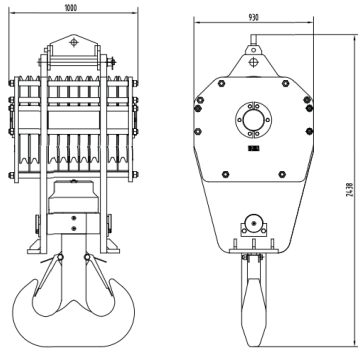
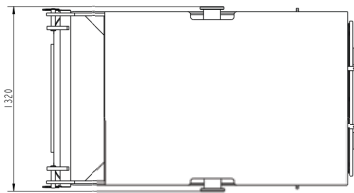
## Technical Parameters

**Rear counterweight** ×6

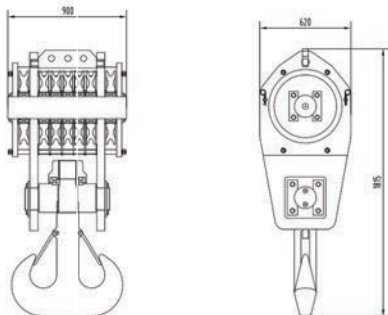
Length (L)	1.9m
Width (W)	0.77m
Height (H)	0.71m
Weight	5.0t

**Carbody counterweight** ×2

Length (L)	2.2m
Width (W)	1.32m
Height (H)	0.92m
Weight	10.0t

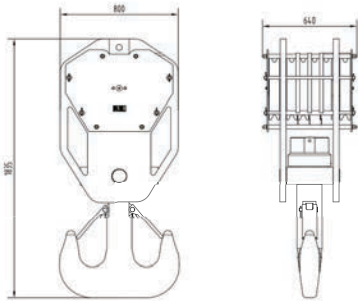
**160t lifting hook** ×1

Length (L)	2.44m
Width (W)	0.93m
Height (H)	1.00m
Weight	3.1t

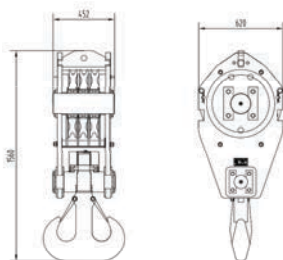
**130t lifting hook** ×1

Length (L)	1.82m
Width (W)	0.62m
Height (H)	0.90m
Weight	1.5t

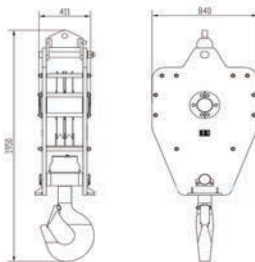
## Transport Plan



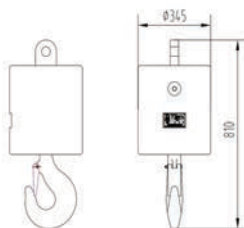
100t lifting hook	×1
Length (L)	1.84m
Width (W)	0.80m
Height (H)	0.64m
Weight	1.2t



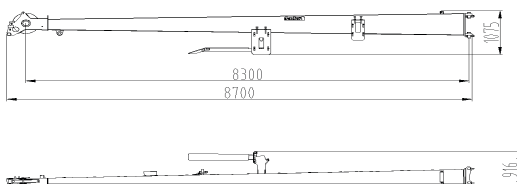
80t lifting hook	×1
Length (L)	1.56m
Width (W)	0.62m
Height (H)	0.45m
Weight	1.0t



50t lifting hook	×1
Length (L)	1.95m
Width (W)	0.84m
Height (H)	0.41m
Weight	0.84t

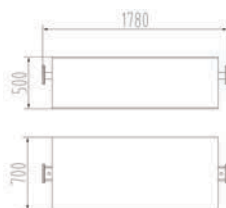
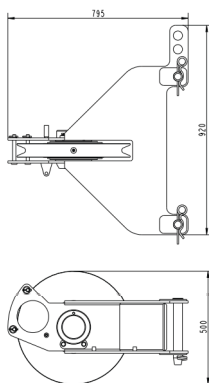
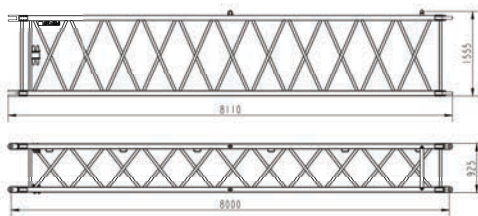
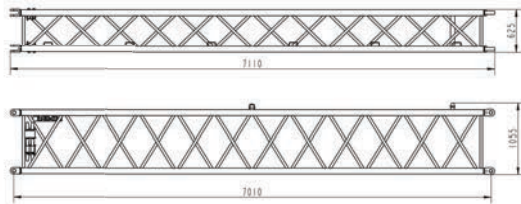
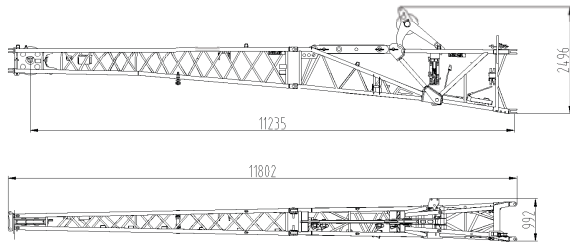


12.5 lifting hook	×1
Length (L)	0.81m
Width (W)	0.35m
Height (H)	0.35m
Weight	0.45t



8.3m jib	×1
Length (L)	8.7m
Width (W)	0.92m
Height (H)	1.06m
Weight	0.69t

## Technical Parameters

**11.2m jib**

×1

Length (L)	11.80m
Width (W)	0.99m
Height (H)	2.50m
Weight	1.85t

**Fly jib extension**

×1

Length (L)	7.11m
Width (W)	1.06m
Height (H)	0.63m
Weight	0.54t

**Main arm extension**

×2

Length (L)	8.11m
Width (W)	1.56m
Height (H)	0.93m
Weight	0.70t

**Arm tip sheave**

×1

Length (L)	0.80m
Width (W)	0.92m
Height (H)	0.50m
Weight	0.11t

**Elevating accessory box**

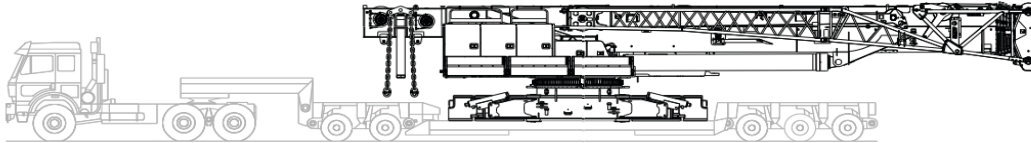
×2

Length (L)	1.78m
Width (W)	0.70m
Height (H)	0.50m
Weight	0.51t

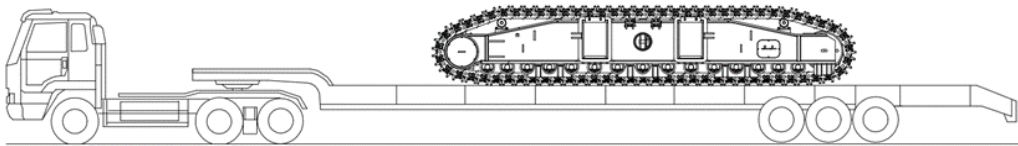
## Transport Plan

### ■ Land Transport plane

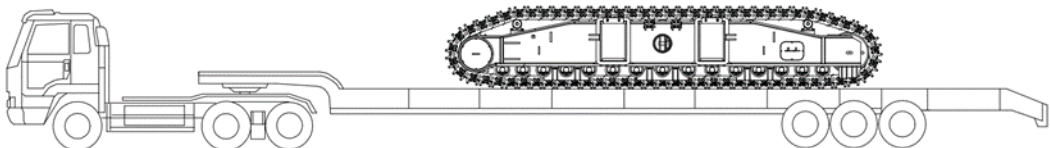
#### 60t: Basic machine



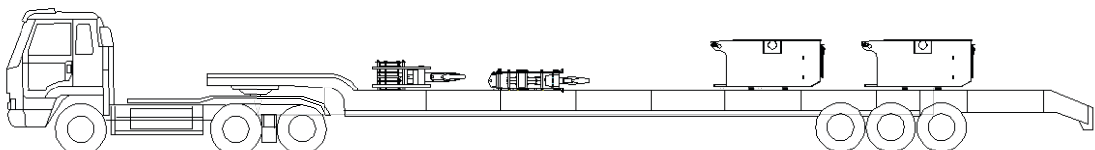
#### 23.0t: Right crawler



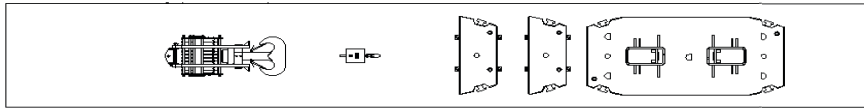
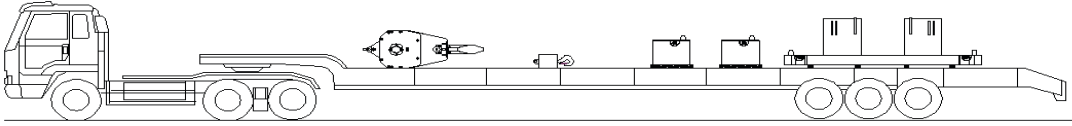
#### 23.0t: Left crawler



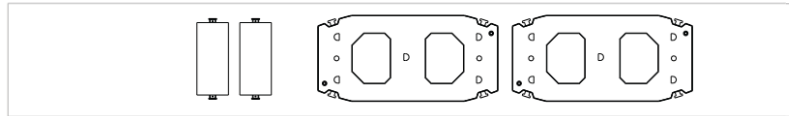
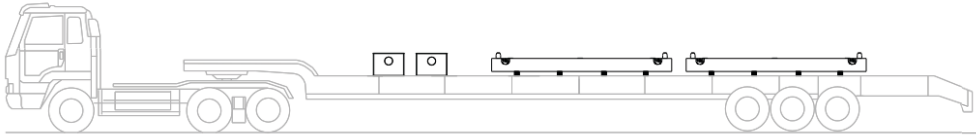
#### 24.7t: Carbody counterweight×2+130t/100t/80t/50t lifting hook



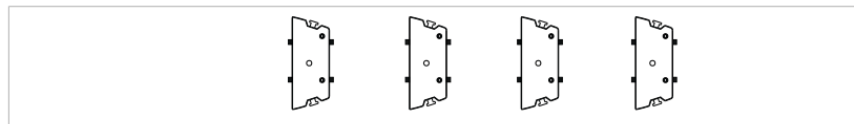
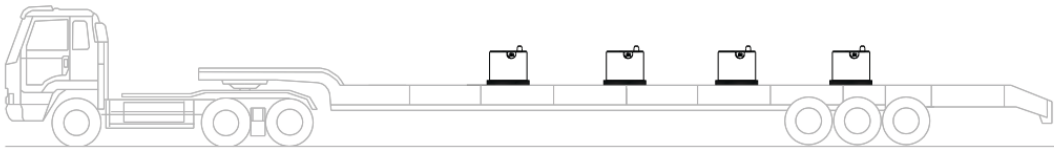
**23.6t: Rear counterweight tray+rear counterweight block×2+160t/12.5t lifting hook**



**21t: Rear counterweight block\*2 + counterweight supporting box\*2**



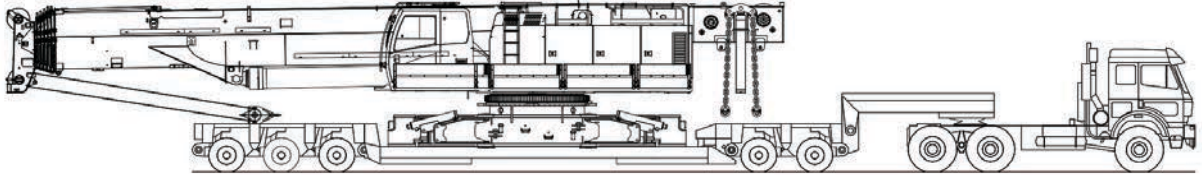
**20t: Rear counterweight×4**



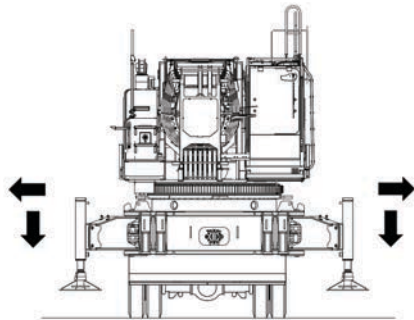


**Self-assembly Plane**

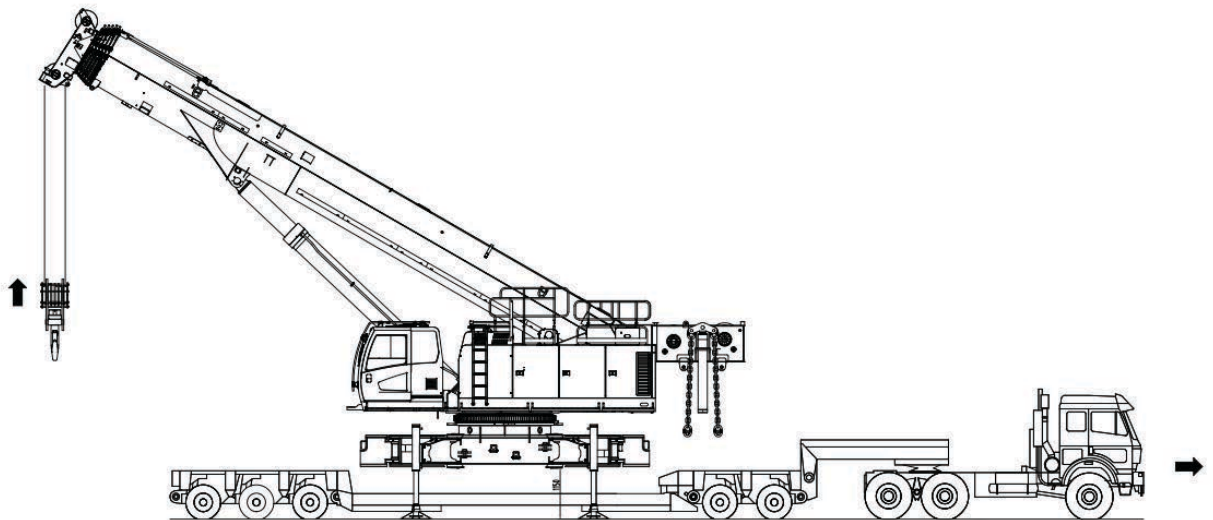
1



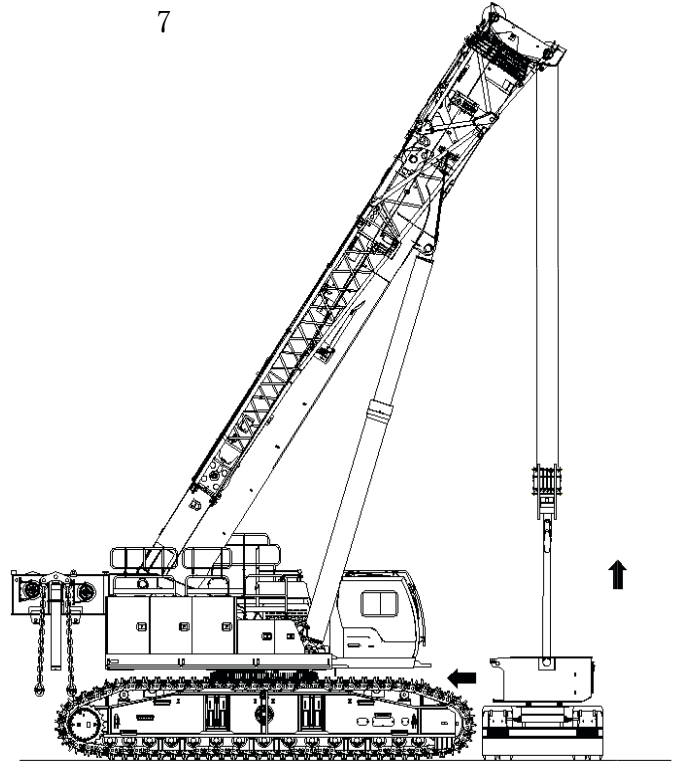
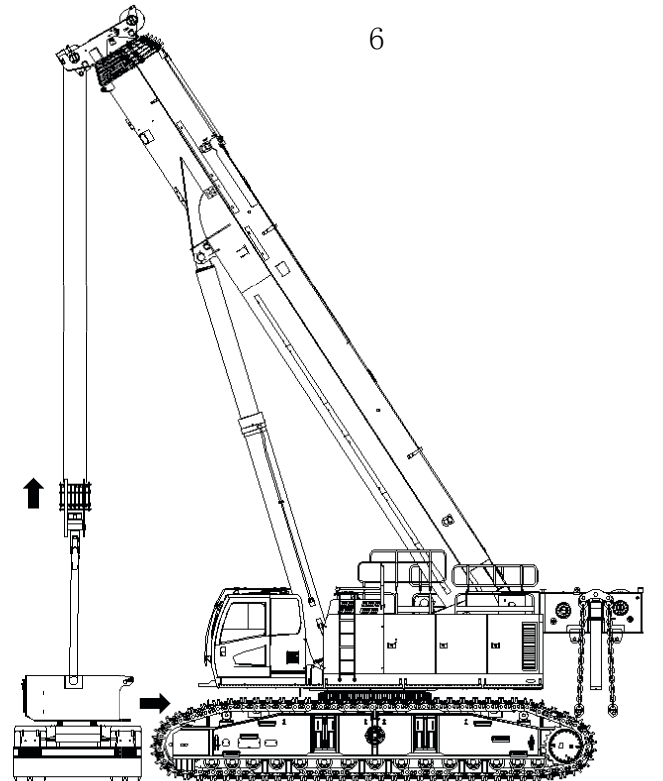
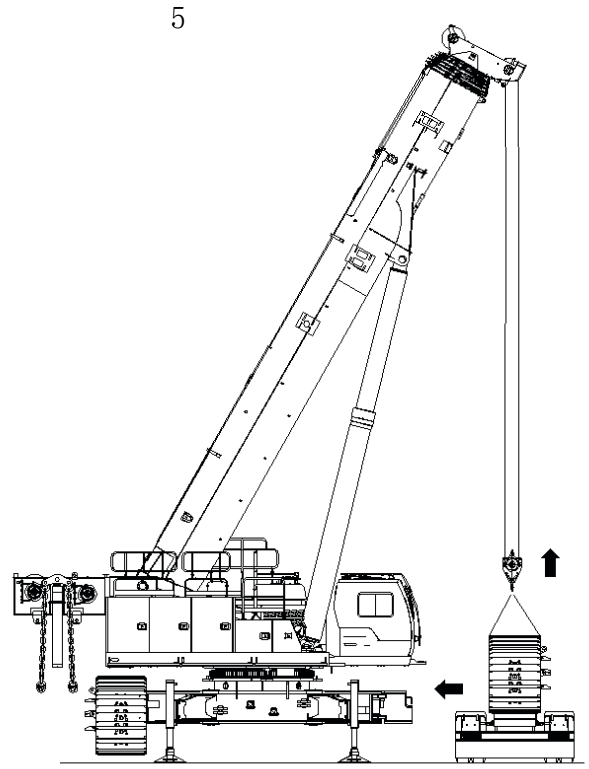
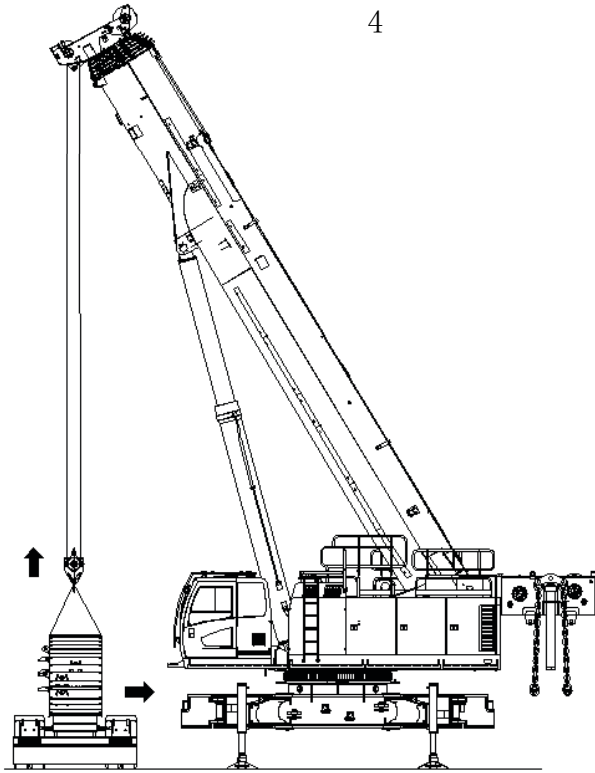
2



3

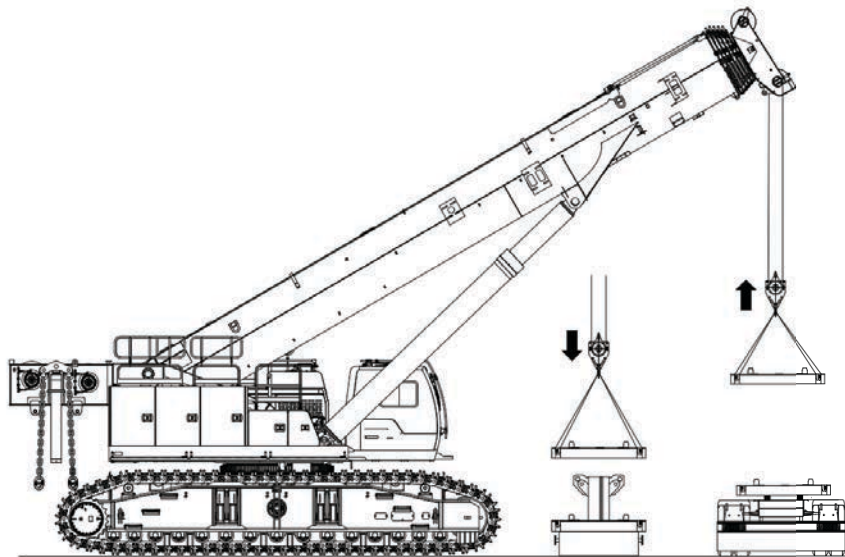


Technical Parameters

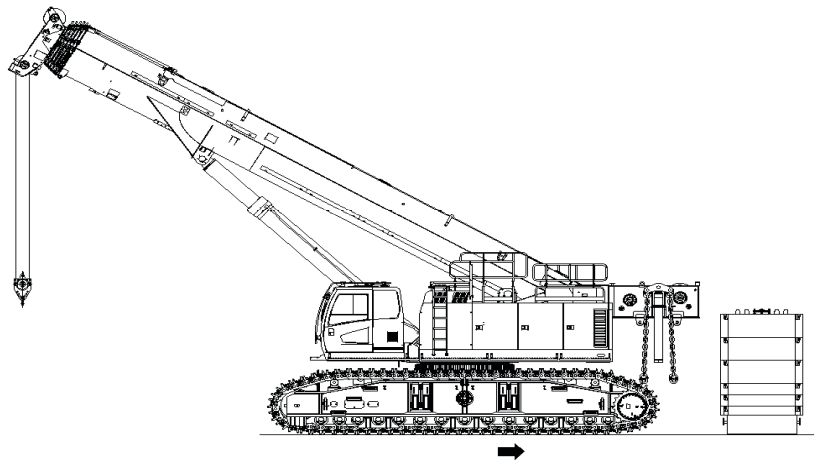


### Self-assembly Plane

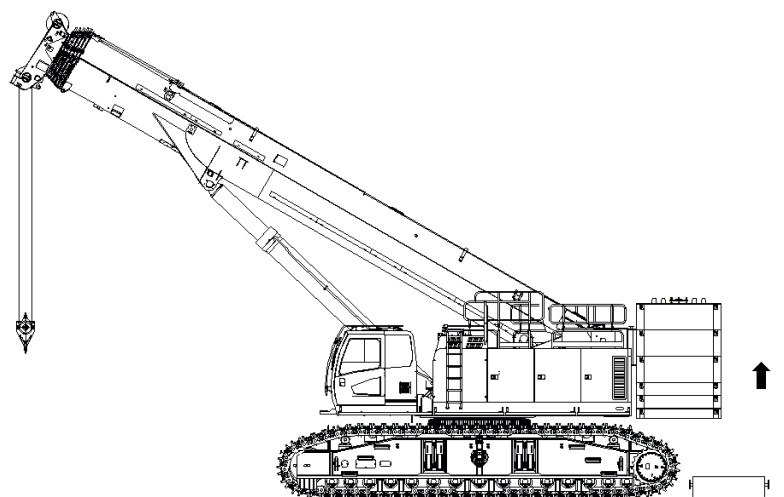
8



9



10





**SCC2500TB**  
**TELESCOPIC BOOM CRAWLER CRANE**  
**250 TONS LIFTING CAPACITY**

QUALITY CHANGES THE WORLD

## Cofigurations

• Page 21 Load Chart of H

> 18

**SCC2500 Telescopic Crawler Crane—H**

**Rear counterweight: 60 t, Carbody counterweight: 20 t, track gauge: 7.35 m (gradient: 0.57°)**

Radius(m)	14.4	14.4	19.1	23.8	28.5	33.2	37.9	42.5	47.2	51.9	56.6	61.3	66.0	70.7	75.4	Radius(m)
3	*250	126.7	126.7													3
3.5	*237	126.7	126.7	126.7												3.5
4	*215.0	126.7	126.7	126.7												4
4.5	*191.1	126.7	125.6	126.7	126.3											4.5
5	*172.0	126.7	118.9	126.7	126.3											5
5.5	*156.4	126.7	112.8	126.7	126.3	98.6										5.5
6	*133.3	126.7	107.4	126.7	126.3	98.6										6
7	*114.3	121.5	98.0	123.5	122.9	96.6	71.7									7
8	*100.0	104.0	90.1	106.0	105.6	90.0	71.4	48.4								8
9	88.9	90.6	83.5	92.6	92.1	84.4	67.6	46.5	43.6							9
10	80.0	79.9	77.7	81.9	81.5	79.4	64.1	44.7	43.6	36.0						10
11	72.7	71.3	72.8	73.3	72.9	73.9	61.0	42.5	43.1	36.0	29.8					11
12			65.8	66.1	65.7	66.8	58.3	40.4	40.9	36.0	29.8	24.5				12
13			59.8	60.1	59.7	60.7	55.7	38.6	38.9	35.0	29.8	24.5				13
14			54.7	55.0	54.6	55.6	53.4	37.0	36.9	33.1	29.5	24.5	20.1			14
16				46.7	46.4	47.3	46.0	34.1	33.5	29.8	26.5	24.2	20.1	16.5	13.7	16
18				39.3	38.8	39.9	38.8	31.6	30.6	27.0	24.0	21.9	20.1	16.5	12.3	18
20				33.5	33.0	34.1	33.0	29.5	28.1	24.7	21.9	19.9	18.6	15.7	11.1	20
22					28.4	29.5	28.5	27.7	25.9	22.7	20.0	18.2	17.0	14.9	10.0	22
24					24.7	25.8	24.8	25.8	24.0	20.9	18.4	16.8	15.7	14.2	9.1	24
26						22.7	21.8	22.8	22.0	19.4	17.0	15.5	14.4	13.5	8.3	26
28						20.2	19.3	20.2	19.5	18.0	15.8	14.3	13.4	12.7	7.5	28
30							17.1	18.1	17.3	16.8	14.7	13.3	12.4	11.8	6.9	30
32							15.2	16.2	15.4	15.2	13.7	12.4	11.5	11.0	6.3	32
34								14.6	13.8	13.6	12.8	11.5	10.8	10.3	5.8	34
36								13.1	12.4	12.2	12.0	10.8	10.0	9.6	5.3	36
38								11.8	11.1	10.9	11.0	10.1	9.4	9.0	4.8	38
40									10.0	9.8	9.9	9.5	8.8	8.4	4.4	40
42									9.0	8.8	8.9	8.9	8.3	7.9	4.1	42
44										7.9	8.0	8.3	7.8	7.5	3.7	44
46										7.0	7.1	7.4	7.3	7.0	3.4	46
48											6.4	6.7	6.9	6.6	3.1	48
50											5.7	6.0	6.4	6.2	2.8	50
52												5.4	5.8	5.9	2.6	52
54												4.8	5.2	5.6	2.3	54
56												4.2	4.7	5.2	2.1	56
58													4.2	4.7	1.9	58
60													3.7	4.2	1.7	60
62														3.8	1.6	62
64														3.3	1.4	64
66															1.3	66
68															1.1	68
n		15	14	13	11	10	8	7	5	4	3	3	2	2	2	n
II		0	0	46	46	46	46	46	92	92	92	92	92	92	100	II
III		0	0	46	46	46	46	46	46	92	92	92	92	92	100	III
IV		0	0	0	46	46	46	46	46	46	92	92	92	92	100	IV
V		0	46	0	0	46	46	46	46	46	46	92	92	92	100	V
VI		0	0	0	0	0	46	46	46	46	46	46	92	92	100	VI
VII		0	0	0	0	0	0	46	46	46	46	46	46	92	100	VII

\*=special equipment required on the head of boom.

**SCC2500 Telescopic Crawler Crane—H**

**Rear counterweight: 40 t, Carbody counterweight: 20 t, track gauge: 7.35 m (gradient: 0.57°)**

Radius(m)	14.4	19.1	23.8	28.5	33.2	37.9	42.5	47.2	51.9	56.6	61.3	66.0	70.7	75.4	Radius(m)
3	126.7	126.7													3
3.5	126.7	126.7	126.7												3.5
4	126.7	126.7	126.7												4
4.5	126.7	125.6	126.7	126.3											4.5
5	126.7	118.9	126.7	126.3											5
5.5	126.7	112.8	126.7	125.1	98.6										5.5
6	126.7	107.4	126.1	113.6	98.6										6
7	107.4	98.0	105.0	95.7	90.0	71.7									7
8	91.4	90.1	89.6	82.3	78.1	71.4	48.4								8
9	74.5	75.3	74.7	71.9	68.8	63.5	46.5	43.6							9
10	62.4	63.3	62.9	61.8	61.3	56.7	44.7	43.6	36.0						10
11	53.4	54.4	54.1	53.1	53.8	51.0	42.5	43.1	36.0	29.8					11
12		47.5	47.2	46.4	47.0	45.7	40.4	40.9	36.0	29.8	24.5				12
13		41.9	41.8	41.0	41.7	40.4	38.6	38.8	35.0	29.8	24.5				13
14		37.4	37.3	36.5	37.3	36.1	36.8	35.7	33.1	29.5	24.5	20.1			14
16			30.4	29.7	30.4	29.4	30.1	29.3	28.9	26.5	24.2	20.1	16.5	13.7	16
18			25.3	24.7	25.4	24.4	25.2	24.4	24.0	24.0	21.9	20.1	16.5	12.3	18
20			21.4	20.8	21.6	20.7	21.4	20.6	20.3	20.3	19.9	18.6	15.7	11.1	20
22				17.8	18.6	17.7	18.4	17.7	17.4	17.4	17.6	17.0	14.9	10.0	22
24				15.3	16.1	15.2	16.0	15.2	15.0	15.0	15.2	15.5	14.2	9.1	24
26					14.1	13.2	14.0	13.3	13.0	13.0	13.2	13.5	13.5	8.3	26
28					12.3	11.5	12.3	11.6	11.3	11.3	11.6	11.9	12.3	7.5	28
30						10.1	10.8	10.1	9.9	9.9	10.1	10.5	10.8	6.9	30
32							8.8	9.6	8.9	8.7	8.7	8.9	9.2	6.3	32
34								8.5	7.8	7.6	7.6	7.8	8.2	5.8	34
36								7.5	6.9	6.6	6.7	6.9	7.2	5.3	36
38								6.7	6.0	5.8	5.8	6.1	6.4	4.8	38
40									5.3	5.0	5.1	5.3	5.6	4.4	40
42									4.6	4.4	4.4	4.6	5.0	4.1	42
44										3.8	3.8	4.0	4.4	3.7	44
46										3.2	3.3	3.5	3.8	3.4	46
48											2.7	3.0	3.3	3.1	48
50											2.3	2.5	2.9	2.8	50
52												2.1	2.4	2.6	52
54												1.7	2.0	2.3	54
56												1.3	1.7	2.0	56
58													1.3	1.7	58
60													1.0	1.4	60
62														1.1	62
64														0.8	64
66														0.6	66
n	15	14	13	11	10	8	7	5	4	3	3	2	2	2	n
II	0	0	46	46	46	46	46	92	92	92	92	92	92	100	II
III	0	0	46	46	46	46	46	46	46	92	92	92	92	100	III
IV	0	0	0	46	46	46	46	46	46	92	92	92	92	100	IV
V	0	46	0	0	46	46	46	46	46	46	92	92	92	100	V
VI	0	0	0	0	0	46	46	46	46	46	46	92	92	100	VI
VII	0	0	0	0	0	0	46	46	46	46	46	46	92	100	VII

**SCC2500 Telescopic Crawler Crane—H**

**Rear counterweight: 0 t, Carbody counterweight: 20 t, track gauge: 7.35 m (gradient: 0.57°)**

Radius(m)	14.4	19.1	23.8	28.5	33.2	37.9	42.5	47.2	51.9	56.6	61.3	66.0	70.7	75.4	Radius(m)
3	126.7	126.7													3
3.5	126.7	126.7	126.7												3.5
4	126.7	126.7	116.4												4
4.5	126.7	116.1	100.2	86.8											4.5
5	114.4	100.0	87.7	76.9											5
5.5	98.6	87.7	77.7	68.7	63.8										5.5
6	86.4	77.8	69.6	62.0	58.0										6
7	64.6	63.1	57.3	51.5	48.8	43.7									7
8	49.7	50.7	48.2	43.6	41.8	37.5	36.4								8
9	39.8	40.9	40.6	37.6	36.3	32.6	31.9	29.0							9
10	32.7	33.9	33.7	32.7	31.9	28.6	28.2	25.6	23.8						10
11	27.4	28.7	28.6	27.8	28.3	25.3	25.1	22.8	21.2	20.2					11
12		24.6	24.5	23.8	24.6	22.5	22.5	20.4	19.0	18.1	17.6				12
13		21.3	21.3	20.6	21.5	20.2	20.3	18.3	17.0	16.3	15.9				13
14		18.7	18.7	18.1	18.9	17.8	18.3	16.5	15.3	14.7	14.3	14.2			14
16			14.6	14.0	14.9	13.9	14.7	13.5	12.5	12.0	11.8	11.8	11.8	11.4	16
18			11.6	11.1	11.9	11.0	11.8	11.0	10.2	9.8	9.7	9.8	9.9	9.5	18
20			9.3	8.8	9.6	8.7	9.5	8.8	8.3	8.0	8.0	8.1	8.3	8.0	20
22				7.1	7.9	7.0	7.8	7.1	6.8	6.5	6.5	6.7	7.0	6.7	22
24				5.6	6.4	5.6	6.3	5.6	5.4	5.2	5.3	5.5	5.8	5.5	24
26					5.2	4.4	5.1	4.5	4.2	4.1	4.2	4.5	4.8	4.6	26
28					4.2	3.4	4.1	3.5	3.2	3.2	3.3	3.6	3.9	3.7	28
30						2.5	3.3	2.6	2.4	2.3	2.5	2.8	3.1	3.0	30
32						1.8	2.6	1.9	1.7	1.6	1.8	2.1	2.4	2.3	32
34							1.9	1.3	1.0	0.9	1.1	1.4	1.8	1.7	34
36							1.3	0.7			0.5	0.9	1.3	1.1	36
38							0.8						0.8	0.6	38
n	15	14	13	11	10	8	7	5	4	3	3	2	2	2	n
II	0	0	46	46	46	46	46	92	92	92	92	92	92	100	II
III	0	0	46	46	46	46	46	46	92	92	92	92	92	100	III
IV	0	0	0	46	46	46	46	46	46	92	92	92	92	100	IV
V	0	46	0	0	46	46	46	46	46	46	92	92	92	100	V
VI	0	0	0	0	0	46	46	46	46	46	46	92	92	100	VI
VII	0	0	0	0	0	0	46	46	46	46	46	46	92	100	VII

**SCC2500 Telescopic Crawler Crane—H**

**Rear counterweight: 60 t, Carbody counterweight: 20 t, track gauge: 6.275 m (gradient: 0.57°)**

Radius(m)	14.4	19.1	23.8	28.5	33.2	37.9	42.5	47.2	51.9	56.6	61.3	66.0	70.7	75.4	Radius(m)	
3	126.7	126.7													3	
3.5	126.7	126.7	126.7												3.5	
4	126.7	126.7	126.7												4	
4.5	126.7	125.6	126.7	126.3											4.5	
5	126.7	118.9	126.7	126.3											5	
5.5	126.7	112.8	126.7	122.5	98.6										5.5	
6	126.7	107.4	123.3	112.2	98.6										6	
7	111.2	98.0	104.3	95.7	90.5	71.7									7	
8	89.2	89.8	89.0	83.2	79.3	71.4	48.4								8	
9	74.0	74.8	74.2	73.0	70.4	65.3	46.5	43.6							9	
10	62.9	63.8	63.4	62.3	62.9	58.6	44.7	43.6	36.0						10	
11	54.5	55.4	55.1	54.1	54.7	53.1	42.5	43.1	36.0	29.8					11	
12		48.7	48.5	47.7	48.3	47.1	40.4	40.9	36.0	29.8	24.5				12	
13		43.3	43.2	42.4	43.1	41.9	38.6	38.9	35.0	29.8	24.5				13	
14		38.9	38.8	38.1	38.8	37.6	37.0	36.9	33.1	29.5	24.5	20.1			14	
16			31.9	31.3	32.0	31.0	31.7	30.8	29.8	26.5	24.2	20.1	16.5	13.7	16	
18			26.8	26.2	27.0	26.0	26.7	25.9	25.6	24.0	21.9	20.1	16.5	12.3	18	
20			22.9	22.3	23.1	22.2	22.9	22.1	21.8	21.8	19.9	18.6	15.7	11.1	20	
22				19.2	20.0	19.1	19.8	19.1	18.8	18.8	18.2	17.0	14.9	10.0	22	
24				16.7	17.4	16.6	17.3	16.6	16.3	16.3	16.5	15.7	14.2	9.1	24	
26					15.3	14.5	15.2	14.5	14.3	14.3	14.5	14.4	13.5	8.3	26	
28					13.6	12.7	13.5	12.8	12.5	12.6	12.8	13.1	12.7	7.5	28	
30						11.2	12.0	11.3	11.0	11.1	11.3	11.6	11.8	6.9	30	
32							9.9	10.7	10.0	9.8	9.8	10.0	10.3	10.7	6.3	32
34								9.5	8.9	8.6	8.7	8.9	9.2	9.6	5.8	34
36								8.5	7.9	7.6	7.7	7.9	8.2	8.6	5.3	36
38								7.6	7.0	6.8	6.8	7.0	7.3	7.7	4.8	38
40									6.2	6.0	6.0	6.2	6.6	6.9	4.4	40
42									5.5	5.3	5.3	5.5	5.8	6.2	4.1	42
44										4.6	4.7	4.9	5.2	5.6	3.7	44
46										4.0	4.1	4.3	4.6	5.0	3.4	46
48											3.5	3.8	4.1	4.5	3.1	48
50											3.0	3.3	3.6	4.0	2.8	50
52												2.8	3.2	3.5	2.6	52
54												2.4	2.7	3.1	2.3	54
56												2.0	2.4	2.7	2.1	56
58													2.0	2.4	1.9	58
60													1.7	2.0	1.7	60
62														1.7	1.6	62
64														1.4	1.4	64
66															1.2	66
68															0.9	68
n	15	14	13	11	10	8	7	5	4	3	3	2	2	2	n	
II	0	0	46	46	46	46	46	92	92	92	92	92	92	100	II	
III	0	0	46	46	46	46	46	46	92	92	92	92	92	100	III	
IV	0	0	0	46	46	46	46	46	46	92	92	92	92	100	IV	
V	0	46	0	0	46	46	46	46	46	46	92	92	92	100	V	
VI	0	0	0	0	0	46	46	46	46	46	46	92	92	100	VI	
VII	0	0	0	0	0	0	46	46	46	46	46	46	92	100	VII	



SCC2500TB Telescopic Boom Crawler Crane 250 Tons Lifting Capacity  
Load Chart

SCC2500 Telescopic Crawler Crane—H																
Rear counterweight: 40 t, Carbody counterweight: 20 t, track gauge: 6.275 m (gradient: 0.57°)																
Radius(m)	14.4	19.1	23.8	28.5	33.2	37.9	42.5	47.2	51.9	56.6	61.3	66.0	70.7	75.4	Radius(m)	
3	126.7	126.7													3	
3.5	126.7	126.7	126.7												3.5	
4	126.7	126.7	126.7												4	
4.5	126.7	125.6	126.7	120.9											4.5	
5	126.7	118.9	121.6	108.8											5	
5.5	126.7	112.8	109.6	98.8	92.0										5.5	
6	118.4	107.4	99.6	90.3	84.6										6	
7	89.8	90.3	84.0	76.8	72.7	66.6									7	
8	71.8	72.5	71.9	66.5	63.5	58.3	48.4								8	
9	59.3	60.2	59.7	58.4	56.2	51.7	46.5	43.6							9	
10	50.1	51.1	50.8	49.9	50.2	46.3	44.7	42.0	36.0						10	
11	43.2	44.2	44.0	43.1	43.8	41.7	40.9	38.1	36.0	29.8					11	
12		38.7	38.6	37.8	38.5	37.3	37.3	34.7	32.9	29.8	24.5				12	
13		34.3	34.2	33.5	34.2	33.0	33.8	31.7	30.1	29.0	24.5				13	
14		30.6	30.6	29.9	30.6	29.5	30.3	29.2	27.7	26.7	24.5	20.1			14	
16			24.9	24.3	25.0	24.0	24.8	24.0	23.6	22.8	22.4	20.1	16.5	13.7	16	
18			20.7	20.2	20.9	20.0	20.7	19.9	19.6	19.6	19.4	19.2	16.5	12.3	18	
20			17.5	16.9	17.7	16.8	17.5	16.8	16.5	16.5	16.7	16.8	15.7	11.1	20	
22				14.4	15.1	14.3	15.0	14.3	14.0	14.0	14.2	14.5	14.9	10.0	22	
24				12.3	13.1	12.2	12.9	12.2	12.0	12.0	12.2	12.5	12.9	9.1	24	
26					11.3	10.5	11.2	10.5	10.3	10.3	10.5	10.8	11.2	8.3	26	
28						9.9	9.0	9.8	9.1	8.9	8.9	9.1	9.4	9.8	7.5	28
30							7.8	8.5	7.9	7.6	7.7	7.9	8.2	8.6	6.9	30
32							6.7	7.5	6.8	6.6	6.6	6.8	7.2	7.5	6.3	32
34								6.5	5.9	5.7	5.7	5.9	6.2	6.6	5.8	34
36								5.7	5.1	4.8	4.9	5.1	5.4	5.8	5.3	36
38								4.9	4.3	4.1	4.2	4.4	4.7	5.1	4.8	38
40									3.7	3.5	3.5	3.7	4.1	4.4	4.4	40
42									3.1	2.9	2.9	3.1	3.5	3.9	3.8	42
44										2.3	2.4	2.6	2.9	3.3	3.3	44
46										1.9	1.9	2.1	2.5	2.8	2.8	46
48											1.5	1.7	2.0	2.4	2.4	48
50											1.1	1.3	1.6	2.0	2.0	50
52												0.9	1.3	1.6	1.6	52
54												0.6	0.9	1.3	1.3	54
56													0.6	1.0	1.0	56
58														0.7	0.7	58
n	15	14	13	11	10	8	7	5	4	3	3	2	2	2	n	
II	0	0	46	46	46	46	46	92	92	92	92	92	92	100	II	
III	0	0	46	46	46	46	46	46	92	92	92	92	92	100	III	
IV	0	0	0	46	46	46	46	46	46	92	92	92	92	100	IV	
V	0	46	0	0	46	46	46	46	46	46	92	92	92	100	V	
VI	0	0	0	0	0	46	46	46	46	46	46	92	92	100	VI	
VII	0	0	0	0	0	0	46	46	46	46	46	46	92	100	VII	

**SCC2500 Telescopic Crawler Crane—H**

**Rear counterweight: 0 t, Carbody counterweight: 20 t, track gauge: 6.275 m (gradient: 0.57°)**

Radius(m)	14.4	19.1	23.8	28.5	33.2	37.9	42.5	47.2	51.9	56.6	61.3	66.0	70.7	75.4	Radius(m)
3	126.7	126.7													3
3.5	126.7	114.7	97.2												3.5
4	112.4	96.8	83.6												4
4.5	94.8	83.4	73.1	64.0											4.5
5	81.7	73.0	64.8	57.1											5
5.5	71.4	64.7	57.9	51.4	48.2										5.5
6	63.3	57.9	52.2	46.6	44.0										6
7	47.1	47.5	43.3	38.9	37.2	33.1									7
8	36.9	38.0	36.7	33.1	31.9	28.4	27.8								8
9	29.8	30.9	30.8	28.5	27.8	24.7	24.3	21.9							9
10	24.6	25.8	25.7	24.7	24.3	21.6	21.5	19.2	17.8						10
11	20.6	21.8	21.8	21.1	21.5	19.0	19.0	17.0	15.7	14.9					11
12		18.7	18.7	18.0	18.8	16.8	17.0	15.1	13.9	13.2	12.9				12
13		16.2	16.2	15.6	16.4	14.9	15.2	13.4	12.4	11.8	11.5				13
14		14.1	14.1	13.5	14.3	13.2	13.6	12.0	11.0	10.5	10.3	10.3			14
16			10.9	10.4	11.1	10.2	11.0	9.5	8.7	8.3	8.2	8.3	8.4	8.0	16
18			8.5	8.0	8.8	7.9	8.7	7.6	6.8	6.5	6.5	6.6	6.8	6.5	18
20			6.6	6.1	6.9	6.1	6.8	6.0	5.3	5.0	5.1	5.2	5.5	5.2	20
22				4.7	5.5	4.6	5.4	4.6	4.0	3.8	3.9	4.1	4.4	4.2	22
24				3.5	4.3	3.5	4.2	3.5	2.9	2.7	2.8	3.1	3.4	3.2	24
26					3.3	2.5	3.2	2.5	2.0	1.8	2.0	2.2	2.6	2.4	26
28					2.4	1.6	2.4	1.7	1.2	1.0	1.2	1.5	1.9	1.7	28
30						0.9	1.7	0.9			0.5	0.8	1.2	1.1	30
32							1.1						0.6	0.5	32
34							0.5								34
n	15	14	13	11	10	8	7	5	4	3	3	2	2	2	n
II	0	0	46	46	46	46	46	92	92	92	92	92	92	100	II
III	0	0	46	46	46	46	46	46	92	92	92	92	92	100	III
IV	0	0	0	46	46	46	46	46	46	92	92	92	92	100	IV
V	0	46	0	0	46	46	46	46	46	46	92	92	92	100	V
VI	0	0	0	0	0	46	46	46	46	46	46	92	92	100	VI
VII	0	0	0	0	0	0	46	46	46	46	46	46	92	100	VII

**SCC2500 Telescopic Crawler Crane—H**

**Rear counterweight: 60 t, Carbody counterweight: 20 t, track gauge: 5.2 m (gradient: 0.57°)**

Radius(m)	14.4	19.1	23.8	28.5	33.2	37.9	42.5	47.2	51.9	56.6	61.3	66.0	70.7	75.4	Radius(m)
7	86.3														7
8	70.5	71.2	70.6	67.3		59.5									8
9	59.2	60.0	59.6	58.5	57.4	53.1	46.5	43.6							9
10	50.7	51.5	51.3	50.4	50.9	47.8	44.7	43.6	36.0						10
11	44.0	45.0	44.8	44.0	44.6	43.3	42.5	39.7	36.0	29.8					11
12		39.7	39.6	38.8	39.5	38.4	38.8	36.3	34.5	29.8	24.5				12
13		35.4	35.3	34.6	35.3	34.2	34.9	33.4	31.8	29.8	24.5				13
14		31.8	31.8	31.1	31.8	30.8	31.5	30.6	29.3	28.3	24.5	20.1			14
16			26.2	25.6	26.3	25.3	26.0	25.2	24.9	24.4	23.9	20.1	16.5	13.7	16
18			22.0	21.4	22.1	21.2	21.9	21.2	20.8	20.8	20.9	20.1	16.5	12.3	18
20			18.7	18.2	18.9	18.0	18.7	18.0	17.7	17.7	17.9	18.2	15.7	11.1	20
22				15.5	16.3	15.4	16.1	15.4	15.2	15.2	15.4	15.7	14.9	10	22
24				13.4	14.1	13.3	14.0	13.3	13.1	13.1	13.3	13.6	14	9.1	24
26					12.4	11.5	12.3	11.6	11.3	11.4	11.6	11.9	12.2	8.3	26
28					10.8	10.0	10.8	10.1	9.9	9.9	10.1	10.4	10.8	7.5	28
30						8.7	9.5	8.8	8.6	8.6	8.8	9.1	9.5	6.9	30
32						7.6	8.4	7.7	7.5	7.5	7.7	8.1	8.4	6.3	32
34							7.4	6.7	6.5	6.6	6.8	7.1	7.5	5.8	34
36							6.5	5.9	5.7	5.7	5.9	6.2	6.6	5.3	36
38							5.7	5.1	4.9	4.9	5.2	5.5	5.9	4.8	38
40								4.4	4.2	4.3	4.5	4.8	5.2	4.4	40
42								3.8	3.6	3.6	3.9	4.2	4.6	4.1	42
44									3.0	3.1	3.3	3.6	4.0	3.7	44
46									2.5	2.6	2.8	3.1	3.5	3.4	46
48										2.1	2.3	2.7	3.0	3.0	48
50										1.7	1.9	2.3	2.6	2.6	50
52											1.5	1.9	2.2	2.2	52
54											1.2	1.5	1.9	1.9	54
56											0.8	1.2	1.5	1.5	56
58												0.9	1.2	1.2	58
60												0.6	0.9	0.9	60
62													0.7	0.7	62
n	15	14	13	11	10	8	7	5	4	3	3	2	2	2	n
II	0	0	46	46	46	46	46	92	92	92	92	92	92	100	II
III	0	0	46	46	46	46	46	46	92	92	92	92	92	100	III
IV	0	0	0	46	46	46	46	46	46	92	92	92	92	100	IV
V	0	46	0	0	46	46	46	46	46	46	92	92	92	100	V
VI	0	0	0	0	0	46	46	46	46	46	46	92	92	100	VI
VII	0	0	0	0	0	0	46	46	46	46	46	46	92	100	VII

**SCC2500 Telescopic Crawler Crane—H**

**Rear counterweight: 40 t, Carbody counterweight: 20 t, track gauge: 5.2 m (gradient: 0.57°)**

Radius(m)	14.4	19.1	23.8	28.5	33.2	37.9	42.5	47.2	51.9	56.6	61.3	66.0	70.7	75.4	Radius(m)
3	126.7	126.7													3
3.5	126.7	126.7	126.7												3.5
4	126.7	126.7	116.7												4
4.5	126.7	116.5	104.1	93.1											4.5
5	115.3	104.0	93.8	84.5											5
5.5	102.0	93.8	85.2	77.1	72.4										5.5
6	88.1	85.2	77.9	70.9	66.9										6
7	68.7	69.4	66.3	60.7	57.8	52.9									7
8	55.8	56.6	56.2	52.8	50.7	46.5	45.0								8
9	46.6	47.5	47.2	46.3	45.0	41.3	40.2	37.2							9
10	39.6	40.6	40.4	39.6	40.2	36.9	36.2	33.5	31.6						10
11	34.2	35.3	35.1	34.4	35.1	33.3	32.8	30.4	28.7	27.5					11
12		31.0	30.9	30.2	30.9	29.8	29.9	27.6	26.1	25.1	24.4				12
13		27.5	27.4	26.8	27.5	26.4	27.1	25.2	23.9	23.0	22.4				13
14		24.5	24.5	23.9	24.6	23.6	24.3	23.1	21.9	21.1	20.6	20.1			14
16			19.9	19.4	20.1	19.2	19.9	19.1	18.5	17.9	17.5	17.4	16.5	13.7	16
18			16.5	16.0	16.7	15.8	16.5	15.8	15.5	15.3	15.1	15.0	15.0	12.3	18
20			13.8	13.3	14.1	13.2	13.9	13.2	12.9	12.9	13.0	13.0	13.1	11.1	20
22				11.2	11.9	11.1	11.8	11.1	10.9	10.9	11.1	11.3	11.5	10.0	22
24				9.4	10.2	9.4	10.1	9.4	9.2	9.2	9.4	9.7	10.0	9.1	24
26					8.7	7.9	8.6	8.0	7.7	7.8	8.0	8.3	8.7	8.3	26
28					7.5	6.7	7.4	6.8	6.5	6.6	6.8	7.1	7.5	7.5	28
30						5.6	6.4	5.7	5.5	5.5	5.8	6.1	6.5	6.4	30
32						4.7	5.5	4.8	4.6	4.6	4.9	5.2	5.6	5.5	32
34							4.7	4.0	3.8	3.9	4.1	4.4	4.8	4.8	34
36							3.9	3.3	3.1	3.2	3.4	3.7	4.1	4.1	36
38							3.3	2.7	2.5	2.5	2.8	3.1	3.5	3.4	38
40								2.1	1.9	2.0	2.2	2.5	2.9	2.9	40
42								1.6	1.4	1.5	1.7	2.0	2.4	2.4	42
44									1.0	1.0	1.3	1.6	2.0	1.9	44
46									0.5	0.6	0.8	1.2	1.5	1.5	46
48											0.5	0.8	1.2	1.2	48
50													0.8	0.8	50
52													0.5	0.5	52
n	15	14	13	11	10	8	7	5	4	3	3	2	2	2	n
II	0	0	46	46	46	46	46	92	92	92	92	92	92	100	II
III	0	0	46	46	46	46	46	46	92	92	92	92	92	100	III
IV	0	0	0	46	46	46	46	46	46	92	92	92	92	100	IV
V	0	46	0	0	46	46	46	46	46	46	92	92	92	100	V
VI	0	0	0	0	0	46	46	46	46	46	46	92	92	100	VI
VII	0	0	0	0	0	0	46	46	46	46	46	46	92	100	VII

**SCC2500 Telescopic Crawler Crane—H**

**Rear counterweight: 0 t, Carbody counterweight: 20 t, track gauge: 5.2 m (gradient: 0.57°)**

Radius(m)	14.4	19.1	23.8	28.5	33.2	37.9	42.5	47.2	51.9	56.6	61.3	66.0	70.7	75.4	Radius(m)
3	110.7	93.2													3
3.5	90.7	78.5	67.9												3.5
4	76.4	67.5	59.2												4
4.5	65.7	59.0	52.3	45.9											4.5
5	57.3	52.1	46.6	41.2											5
5.5	50.5	46.5	41.9	37.2	35.2										5.5
6	44.1	41.9	37.9	33.8	32.2										6
7	33.5	34.5	31.6	28.2	27.2	23.9									7
8	26.5	27.6	26.7	23.9	23.3	20.4	20.2								8
9	21.4	22.6	22.5	20.4	20.2	17.6	17.6	15.5							9
10	17.6	18.8	18.8	17.6	17.6	15.2	15.4	13.5	12.3						10
11	14.6	15.9	15.8	15.2	15.4	13.2	13.5	11.7	10.7	10.1					11
12		13.5	13.5	12.9	13.5	11.5	11.9	10.2	9.3	8.8	8.6				12
13		11.5	11.6	11.0	11.8	10.0	10.5	8.9	8.0	7.6	7.5				13
14		9.9	10.0	9.5	10.2	8.7	9.2	7.8	7.0	6.6	6.5	6.6			14
16			7.5	7.0	7.8	6.6	7.2	5.9	5.1	4.8	4.8	5.0	5.2	4.9	16
18			5.6	5.1	5.9	4.9	5.5	4.3	3.6	3.4	3.5	3.7	3.9	3.7	18
20			4.1	3.6	4.4	3.5	4.2	3.0	2.4	2.2	2.3	2.6	2.9	2.7	20
22				2.5	3.2	2.3	3.0	1.9	1.4	1.2	1.3	1.6	2.0	1.8	22
24				1.5	2.3	1.3	2.1	1.0	0.5		0.5	0.8	1.2	1.0	24
26					1.5	0.5	1.3						0.5		26
28					0.8		0.6								28
n	15	14	13	11	10	8	7	5	4	3	3	2	2	2	n
II	0	0	46	46	46	46	46	92	92	92	92	92	92	100	II
III	0	0	46	46	46	46	46	46	92	92	92	92	92	100	III
IV	0	0	0	46	46	46	46	46	46	92	92	92	92	100	IV
V	0	46	0	0	46	46	46	46	46	46	92	92	92	100	V
VI	0	0	0	0	0	46	46	46	46	46	46	92	92	100	VI
VII	0	0	0	0	0	0	46	46	46	46	46	46	92	100	VII

**SCC2500 Telescopic Crawler Crane—FhJ**

**Rear counterweight: 60 t, Carbody counterweight: 20 t, track gauge: 6.25 m (gradient: 0.57°) 3.5m Heavy Jib**

Radius(m)	14.4	19.1	23.8	28.5	33.2	37.9	42.5	47.2	51.9	56.6	61.3	66.0	70.7	75.4	Radius(m)
3	42	42													3
3.5	42	42	42												3.5
4	42	42	42												4
4.5	42	42	42	42											4.5
5	42	42	42	42											5
5.5	42	42	42	42	42										5.5
6	42	42	42	42	42										6
7	42	42	42	42	42	42									7
8	42	42	42	42	42	42	42								8
9	42	42	42	42	42	42	42	39.6							9
10	42	42	42	42	42	42	40.7	39.6	32						10
11	42	42	42	42	42	42	38.5	39.1	32	25.8					11
12		42	42	42	42	42	36.4	36.9	32	25.8	20.5				12
13		42	42	42	42	42	34.6	34.9	31	25.8	20.5				13
14		42	42	42	42	42	33	32.9	29.1	25.5	20.5	16.1			14
16			42	42	42	42	30.1	29.5	25.8	22.5	20.2	16.1	12.5	9.7	16
18			35.3	34.8	35.9	34.8	27.6	26.6	23	20	17.9	16.1	12.5	8.3	18
20			29.5	29	30.1	29	25.5	24.1	20.7	17.9	15.9	14.6	11.7	7.1	20
22				24.4	25.5	24.5	23.7	21.9	18.7	16	14.2	13	10.9	6	22
24				20.7	21.8	20.8	21.8	20	16.9	14.4	12.8	11.7	10.2	5.1	24
26					18.7	17.8	18.8	18	15.4	13	11.5	10.4	9.5	4.3	26
28					16.2	15.3	16.2	15.5	14	11.8	10.3	9.4	8.7	3.5	28
30						13.1	14.1	13.3	12.8	10.7	9.3	8.4	7.8	2.9	30
32						11.2	12.2	11.4	11.2	9.7	8.4	7.5	7	2.3	32
34							10.6	9.8	9.6	8.8	7.5	6.8	6.3	1.8	34
36							9.1	8.4	8.2	8	6.8	6	5.6	1.3	36
38							7.8	7.1	6.9	7	6.1	5.4	5		38
40								6	5.8	5.9	5.5	4.8	4.4		40
42								5	4.8	4.9	4.9	4.3	3.9		42
44									3.9	4	4.3	3.8	3.5		44
46									3	3.1	3.4	3.3	3		46
48										2.4	2.7	2.9	2.6		48
50										1.7	2	2.4	2.2		50
52											1.4	1.8	1.9		52
54												1.2	1.6		54
56													1.2		56
n	15	14	13	11	10	8	7	5	4	3	3	2	2	2	n
II	0	0	46	46	46	46	46	92	92	92	92	92	92	100	II
III	0	0	46	46	46	46	46	46	92	92	92	92	92	100	III
IV	0	0	0	46	46	46	46	46	46	92	92	92	92	100	IV
V	0	46	0	0	46	46	46	46	46	46	92	92	92	100	V
VI	0	0	0	0	0	46	46	46	46	46	46	92	92	100	VI
VII	0	0	0	0	0	0	46	46	46	46	46	46	92	100	VII

**SCC2500 Telescopic Crawler Crane—FJ**

**Rear counterweight: 60 t, Carbody counterweight: 20 t, track gauge: 7.35 m (gradient: 0.57°)**

Boom(m)	56.6			61.3			66.0			70.7			75.4			Radius(m)
Jib(m)	11.2			11.2			11.2			11.2			11.2			
Radius(m)	0°	15°	30°	0°	15°	30°	0°	15°	30°	0°	15°	30°	0°	15°	30°	
13	10.5															13
14	10.5			10.5												14
16	10.5	7.8		10.5			10.1									16
18	10.5	7.2	5.8	10.5	7.3		9.9	7.4		7.3			4.8			18
20	10.5	6.6	5.5	10.5	6.9	5.0	9.8	6.9	4.6	7.3	7.1		4.8			20
22	10.5	5.9	5.2	10.5	6.2	4.9	9.7	6.4	4.4	7.2	7.1	4.2	4.8	4.8		22
24	10.5	5.7	5.0	10.5	5.7	4.9	9.5	6.1	4.2	7.1	7.0	4.1	4.8	4.8	4.0	24
26	10.5	5.1	4.8	10.1	5.5	4.7	9.0	5.6	4.1	6.9	6.8	3.9	4.8	4.8	3.8	26
28	10.5	4.7	4.8	9.7	5.0	4.5	8.6	5.3	3.9	6.7	6.6	3.7	4.8	4.8	3.8	28
30	10.1	4.6	4.8	9.2	4.7	4.2	8.2	5.1	3.8	6.5	6.4	3.6	4.8	4.8	3.8	30
32	9.5	4.2	4.5	8.6	4.5	4.2	7.7	4.7	3.5	6.2	6.2	3.5	4.8	4.8	3.5	32
34	8.8	4.1	4.5	8.1	4.2	4.2	7.4	4.5	3.4	6.0	6.0	3.2	4.8	4.7	3.3	34
36	8.0	4.0	4.3	7.6	4.0	4.1	7.0	4.4	3.4	5.8	5.8	3.2	4.6	4.7	3.3	36
38	6.8	3.7	4.3	6.7	3.9	3.9	6.5	4.1	3.2	5.5	5.6	3.3	4.5	4.6	3.3	38
40	5.8	3.6	4.1	5.6	3.8	3.8	5.7	4.0	3.1	5.2	5.3	3.2	4.4	4.5	3.3	40
42	4.8	3.5	4.1	4.7	3.6	3.8	4.7	3.7	3.0	4.9	5.1	2.9	4.4	4.5	3.0	42
44				3.9	3.6	3.8	3.9	3.7	3.0	4.0	4.7	3.0	3.7	4.3	3.0	44
46							3.1	3.5	2.7	3.3	3.9	2.9	3.0	3.6	3.0	46
48										2.6	3.1	2.7	2.3	2.9	2.9	48
50										1.9	2.4	2.7	1.7	2.2	2.7	50
52													1.1	1.6	2.0	52
n	3	3	3	3	3	3	3	3	3	2	2	2	2	2	2	2
II	92	92	92	92	92	92	92	92	92	92	92	92	100	100	100	n
III	92	92	92	92	92	92	92	92	92	92	92	92	100	100	100	II
IV	92	92	92	92	92	92	92	92	92	92	92	92	100	100	100	III
V	46	46	46	92	92	92	92	92	92	92	92	92	100	100	100	IV
VI	46	46	46	46	46	46	92	92	92	92	92	92	100	100	100	V
VII	46	46	46	46	46	46	46	46	46	92	92	92	100	100	100	VI



## Zhejiang SANY Equipment Co., Ltd.

SANY Industrial Park, No. 2087 Daishan Road, Wuxing District, Huzhou City,  
Zhejiang Province, P. R. of China Zip 313028

After-sales Service 400 887 8318

Consulting 400 887 9318

— Agent information —

Due to updated technology, the technical parameters and configurations are subject to change without prior notice. The machine in the picture may include additional equipment. This album is for reference only, subject to the object.

All rights reserved for Sany, without the written permission of Sany, the contents of any part of this content shall not be copied or copied for any purpose.

© Printed in August 2020 in China

[www.sany.com.cn](http://www.sany.com.cn)



Please scan the official  
WeChat account of Sany  
for more information.