



TM

**Verieteri**  
SPA

**18.63B**

W H E E L  
L O A D E R



TUTT BRYANT





**VF18.63B**

**EXTREME POWER,  
MAXIMUM FLEXIBILITY**

MAX POWER  
**228 HP**

BUCKET CAPACITY  
**3,5 > 5,0 m<sup>3</sup>**

MAX PERMISSIBLE  
WEIGHT  
**22.000 kg**



**EASIEST  
MAINTENANCE  
AND SERVICE**

**ELECTRICAL OPENING  
OF ENGINE BONNET**

**EASY  
MAINTENANCE**

**CENTRALIZED  
GREASING SYSTEM**

**OSCILLATING  
ZF REAR AXLE**

**MAINTENANCE PROGRAM  
"VENIERI FOR LIFE"**





## **AUTOMOTIVE INSPIRED COMFORT**



**WIDE SPACE  
AND VISIBILITY  
INSIDE THE CABIN**

**IMPROVED  
AND ERGONOMIC  
CABIN DESIGN**

**MULTIPURPOSE  
JOYSTICK**

**GREAT  
SOUNDPROOFING**

**REARVIEW  
ONBOARD  
CAMERA**



# 18.63B

## WHEEL LOADER ▶ "Z" LINKAGE

### DIESEL ENGINE

6-cylinder in-line engine, turbocharged, direct-injection common rail (DCR®), cooled exhaust gas recirculation, water-cooled, dry filtration, and particle filter with active regeneration. Emissioned according to CEE 97/68 – Stage IIIB/Tier4i.

Type .....	Deutz TCD 6.1 L6
Max power .....	168kW - 228 HP
Rated rpm .....	2.100
Power ISO/TR 14396 .....	160 kW - 218 HP
Power EEC/80/1269 .....	160 kW - 218 HP
Max torque .....	Nm 900
Bore .....	mm 101
Stroke .....	mm 126
Displacement .....	cm <sup>3</sup> 6.057

### ELECTRIC SYSTEM

Battery .....	12 Volt
Capacity EN 60095-1 .....	180 Ah - 1.100 A
Alternator rating .....	150 A
Reverse warning .....	Standard
Wiring according to .....	IP 67 e DIN 40050

### TRANSMISSION

Hydrostatic transmission with automatic power regulation and closed circuit with variable displacement pumps and two motors. Three forward/reverse speed with fully automatic gear shift and single-lever control. Gear box with automatic gears and clutch to disconnect one motor in travelling speed.

	forward	reverse
1 <sup>st</sup> Gear km/h	0÷8	0÷8
2 <sup>nd</sup> Gear km/h	0÷22	0÷22
3 <sup>rd</sup> Gear km/h	0÷40	0÷40

### AXLES

Two heavy duty ZF axles with planetary final drivers in each wheel. Rigid drive axle on front chassis section. Oscillation drive axle on rear chassis section up to a total angle of 20°. Transfer gear box transferring movement directly to the rear and to the front axle via a transmission shaft. Self-locking limited slip differential on front and rear axle.

### BRAKES

Service: hydraulic multi-disc oil brake on each wheel.  
Parking: hydraulic negative disc brake actuated by electric control and automatically when the machine is turned off.

### TYRES

Standard .....	23.5 R25
Optional .....	20.5 R25 / 620/70 R26

### STEERING

Servo-assisted steering LOAD SENSING system with separated pump.

Total steering angle .....	80°
Inner tyres turning radius .....	mm 3.450
External tyres turning radius .....	mm 6.150
External bucket turning radius .....	mm 6.900



### HYDRAULIC SYSTEM

Single variable displacement piston pump with power control "PCS" for the loader, second gear pump for the steering circuit. Selector switch to control arm movement speed. Modular 2-element control valve. Double acting hydraulic cylinders. Hydraulic oil cooling radiator with fan having a double speed of rotation. Full-flow oil filter on the leakage pipe. Single servo-lever-arm-control with 4-position lifting system and with 3-position bucket system.

Max flow .....	lt/1'	260
Loader relief valve pressure .....	bar	280
Steering relief valve pressure .....	bar	210
Lift cylinder .....	mm	140x750
Bucket cylinder .....	mm	160x480

### SERVICES CAPACITIES

Engine .....	lt	15,5
Front axle .....	lt	35
Rear axle .....	lt	35
Gear box .....	lt	6
Hydraulic circuit .....	lt	222
Fuel .....	lt	268
Water cooling .....	lt	30

### NOISE LEVEL

ISO 639 .....	LpA (interior pressure level)	67 dB (A)
2000/14/CE .....	LwA (exterior power level)	103 dB (A)

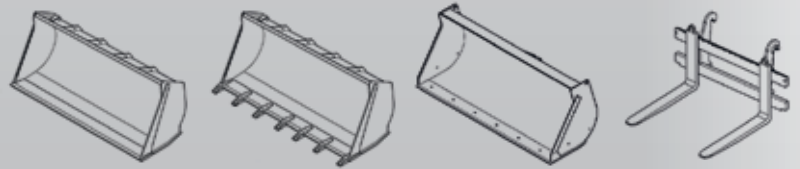
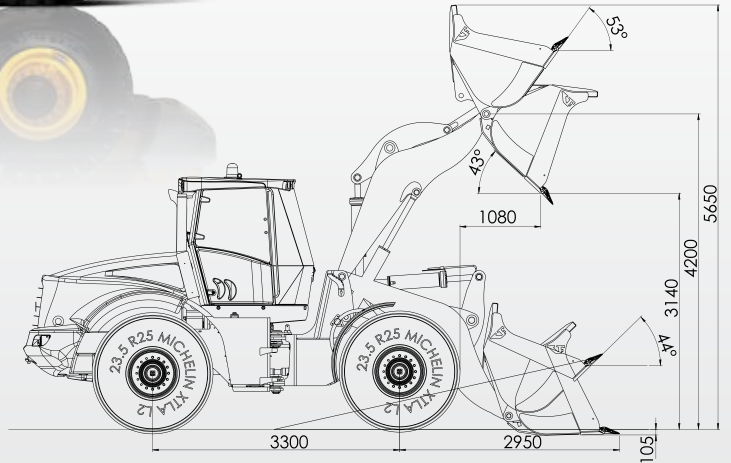
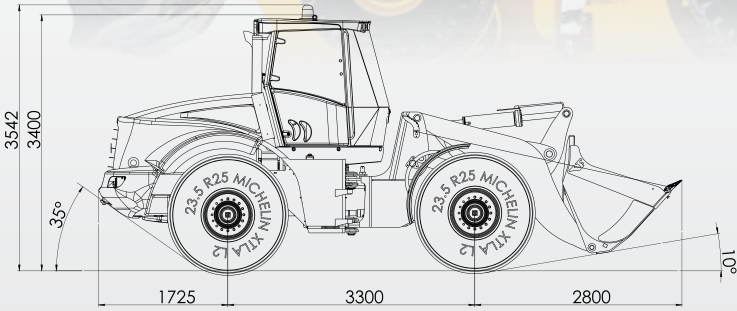
### TECHNICAL FEATURES

Standard bucket capacity .....	m <sup>3</sup>	3,5
Bucket width .....	mm	2.900
Straight static tipping load .....	kg	15.500
Full turned 40° tipping load .....	kg	13.800
Lifting capacity at max. height .....	kg	12.870
Dump clearance .....	mm	4.200
Dump height at 43° .....	mm	3.140
Reach at 43° .....	mm	1.080
Breakout force .....	kg	15.620

### DIMENSIONS AND WEIGHT

Max length in transfer position .....	mm	8.000
Max width in transfer position .....	mm	2.900
Max Height .....	mm	3.400
Track width .....	mm	2.100
Overall tyre width .....	mm	2.700
Wheel base .....	mm	3.300
Ground clearance .....	mm	530
Standard operating weight .....	kg	18.500
Max permissible weight .....	kg	22.000

The illustrations on the present folder do not necessarily show the product standard version. Data and dimensions described in this folder are not binding. Venieri reserves the right of carrying out possible changes at any time and without previous notice because of its policy of steady development and improvement of the products.



### PERFORMANCE DATA

		UNIVERSAL BUCKET	ROCK	OVERSIZE	FORKS
Full load bucket capacity (SAE)	m <sup>3</sup>	3,5	3,0	5,0	
Bucket width	mm	2.900	2.900	3.000	
Bucket weight	kg	1.450	1.400	1.650	
Max operative height	mm	5.650	5.550	5.800	
Forks length (Standard)	mm				1.100
Forks length (optional)	mm				1.300
Height to hinge pin	mm	4.200	4.200	4.200	
Dump angle	°	43°	43°	43°	
Dump height	mm	3.140	3.200	3.000	
Reach fully raised	mm	1.080	1.050	1.250	
Max dump distance	mm	2.250	2.150	2.350	
Bucket static tipping load, straight	kg	15.500	16.000	14.400	
Bucket static tipping load, full turn (40°)	kg	13.800	14.200	12.600	
Forks static tipping load, full turn (40°)	kg				8.200
Forks Payload EN 474-3 (80%)	kg				6.600
Forks Payload EN 474-3 (60%)	kg				5.000
Breakout force	kg	15.620	16.000	13.200	
Total length	mm	8.000	7.850	8.150	
External bucket turning radius	mm	6.900	6.850	7.050	
Standard operative weight	kg	18.500	18.350	18.700	



**VENIERI**



**“Z” LINKAGE**

**NEW DEUTZ ENGINE  
6 CYLINDERS  
TURBO INTERCOOLER**

**NEGATIVE HYDRAULIC  
PARKING BRAKE**

**MULTIPURPOSE JOYSTICK**

**ERGONOMIC  
AND PNEUMATIC SEAT**

**RESPECT FOR THE ENVIROMENT  
AND LOW CONSUMPTION**

**ZF AXLES**

**BOSCH REXROTH HIGH EFFICIENCY  
HYDROSTATIC TRANSMISSION**

**3+3 AUTOMATIC GEAR SHIFT**

**40 KM/H MAX SPEED**

**69DB. WORK HARD, IN SILENCE.  
LET THE SUCCESS MAKE THE NOISE.**

**FAN ROTATION CONTROLLED  
WITH TEMPERATURE SENSOR**

**DESCENT REGULATION VALVE**





## STANDARD EQUIPMENT

- › Acoustic warnings
- › Plugs with keys for fuel and hydraulic tanks
- › Bucket with welded teeth
- › ROPS-FOPS- cab with heater, pressurizer circulating fan, with front and rear windscreen wiper and windshield washer
- › Tool box
- › Spare parts catalogue
- › Seat belt
- › Limited slip differential on front and rear axle
- › Safety clamp for lifting cylinders
- › Negative hydraulic parking brake

- › Electrical index for bucket position
- › Working lights
- › Draw bar hook
- › Soundproofing
- › Yellow rotating and overturning beacon
- › Operation and maintenance manual
- › Type-approval for road traffic
- › Side rearview mirrors
- › Complete instrument board
- › Electrical opening of the engine cover

## OPTIONAL EQUIPMENT

- › Hydraulic or mechanical quick coupler
- › Cement mixing bucket
- › Multipurpose bucket (4 in 1)
- › Speed reduction kit
- › Lifting forks
- › Asphalt and cement planer
- › Snow blower
- › "V" type snow blade
- › Angle-tilt dozer blade
- › Hand operating hammer
- › Trencher wheel
- › Trencher

FOR ALL SALES, PARTS & SERVICE ENQUIRIES, PLEASE CONTACT OUR AUSTRALIAN APPOINTED DEALER

## TUTT BRYANT EQUIPMENT

**1300 658 888** (AUSTRALIA WIDE)  
[www.tuttbryant.com.au](http://www.tuttbryant.com.au)



**Venieri** SPA  
 EARTHMOVING MACHINES

Via Piratello, 106 - 48022 Lugo (RA) ITALY  
 Tel. +39 0545 904411 Fax +39 0545 30389  
 e-mail: [info@vf-venieri.com](mailto:info@vf-venieri.com) [www.vf-venieri.com](http://www.vf-venieri.com)

### Spare Parts

Tel. +39 0545 904429 Fax +39 0545 24555  
 e-mail: [ricambi@vf-venieri.com](mailto:ricambi@vf-venieri.com)

