



10.63C

WHEEL LOADER PARALLEL LINKAGE



DIESEL ENGINE

4 cylinder in line engine, turbocharged with intercooler, common-rail injection with electronic control, exhaust gas recirculation, water cooled, dry filtration, oxidation catalyst (DOC).
Emissioned according to CE 97/68 - Stage IIIB/Tier 4i.

Type	Deutz TD 3.6 L4
Max. power	94,5 kW - 128 HP
Rated	rpm 2.300
Power ISO/TR 14396	90 kW - 122 HP
Power EEC 80/1269	90 kW - 122 HP
Max. torque	Nm 480
Bore	mm 98
Stroke	mm 120
Displacement	cm ³ 3.620

ELECTRIC SYSTEM

Battery	12 Volt
Capacity EN 60095-1	110 Ah - 850 A
Alternator rating	95 A
Reverse warning	Standard
Wiring according to	IP 67 DIN 40050

TRANSMISSION

Hydrostatic transmission with automatic power regulation and closed circuit with pumps and variable displacement engine.
Gearbox with 2 mechanical selections: 2 work speeds (fwd/rev) and 2 road speeds (fwd/rev).

Work speed	forward	reverse
1 st gear km/h	0÷5	0÷5
2 st gear km/h	0÷13	0÷13

Road speed	forward	reverse
1 st gear km/h	0÷17	0÷17
2 st gear km/h	0÷40*	0÷40*

(* Self limited max speed)

AXLES

Two heavy duty equal size axles with planetary final drives in each wheel. Fixed rigid drive axle. Oscillation rear axle on rear chassis section up to a total angle of 25°. Transfer gearbox transferring movement directly to the rear and to the front axle via a transmission shaft.

Self locking limited slip differential on front axle.
Self locking limited slip differential on rear axle (optional).

BRAKES

Service: hydraulic multi-disc oil brake on front and rear axles.
Parking: negative hydraulic on front axle, electrically applied.

TYRES

Standard	17,5 x 25
Option	17,5 R25 L5 17,5 R25 480/70 R24

STEERING

Servo-assisted steering **LOAD SENSING** system

Total steering angle	mm	80°
Inner tyres turning radius.....	mm	2.733
External tyres turning radius	mm	4.908
External bucket turning radius (Δ)	mm	5.600

(Δ) Bucket on traveling condition

HYDRAULIC SYSTEM

Two gear pump, the first for loader and steering circuit with LOAD SENSING valve, the second for the fan circuit with two rotating speed. Modular two-element control valve with main relief valve. Double acting hydraulic cylinders. Hydraulic oil cooling radiator. Full flow oil filter on the leakage pipe. Single servo lever arm control with 4 position lifting system and with 3 position bucket system.

Max. flow	lt/1'	155
Loader relief valve pressure	bar	230
Steering relief valve pressure	bar	175
Lift cylinder	mm	105x770
Bucket cylinder	mm	80x680

SERVICES CAPACITIES

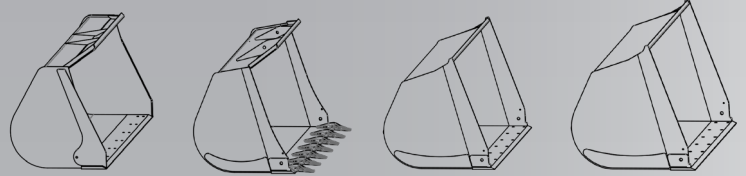
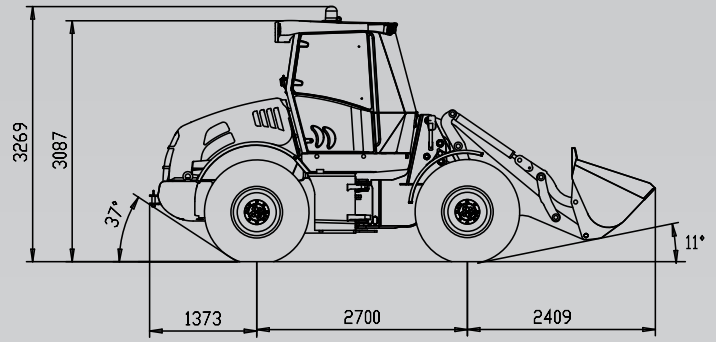
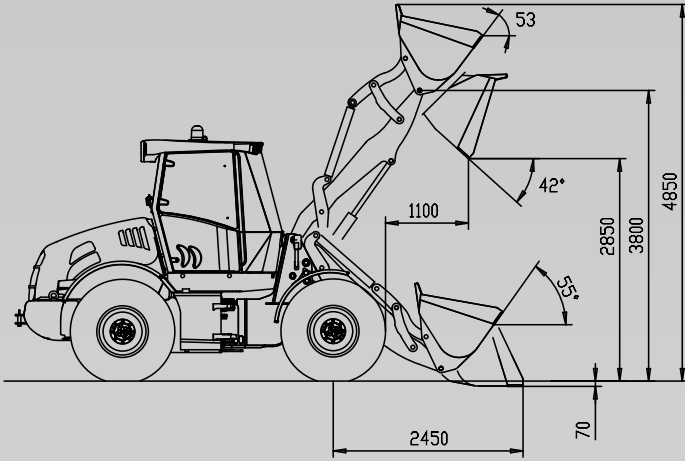
Engine	lt	8
Front axle	lt	17,6
Rear axle	lt	11,9
Gear box	lt	1,8
Hydraulic circuit.....	lt	137
Brake circuit	lt	1,1
Fuel	lt	140
Water cooling	lt	20

TECHNICAL FEATURES

Standard bucket capacity	m ³	1,8
Bucket width	mm	2.350
Straight static tipping load	kg	5.800
Full turned 40° tipping load	kg	5.200
Lifting capacity at max. height	kg	5.500
Dump clearance	mm	3.800
Dump height at 40°	mm	2.850
Reach at 40°	mm	1.100
Breakout force	kg	8.000

DIMENSIONS AND WEIGHT

Max. length in transfer position	mm	6.344
Max. width in transfer position	mm	2.350
Tyre external width	mm	2.195
Track width.....	mm	1.750
Wheel base.....	mm	2.635
Ground clearance.....	mm	380
Max. height.....	mm	2.980
Standard operating weight.....	kg	9.500
Max. permissible weight	kg	10.000



PERFORMANCE DATA

		UNIVERSAL BUCKET	ROCK	OVERSIZE	EXTRA OVERSIZE
Full load bucket capacity (SAE)	m ³	1,8	1,5	2,2	2,5
Bucket width	mm	2.350	2.350	2.500	2.500
Bucket weight	kg	650	600	750	850
Max operative height	mm	4.850	4.800	4.975	5.000
Bucket pin height	mm	3.800	3.800	3.800	3.800
Dump clearance	°	42°	42°	42°	42°
Dump height	mm	2.850	2.957	2.857	2.823
Dump distance	mm	1.100	981	1.093	1.130
Straight tipping load	mm	2.025	1.906	2.018	2.055
Full turned tipping load	kg	5.800	6.000	5.600	5.400
Full turned tipping load	kg	5.200	5.300	4.900	4.700
Breakout force	kg	8.000	8.925	8.076	7.709
Total length	mm	6.500	6.450	6.575	6.650
External bucket turning radius	mm	5.650	5.597	5.726	5.735
Total weight	kg	9.500	9.450	9.600	9.700

LOADING FORK (kg) - CENTRE OF GRAVITY 500mm

Static tipping load, full turn	4.200	Payload EN 474-3 (60%)	2.500
Payload EN 474-3 (80%)	3.400	Payload DIN 24094 (50%)	2.100



Venieri

Via Piratello, 106 - 48022 Lugo (RA) ITALY
Tel. +39 0545 904411 Fax +39 0545 30389
e-mail: info@vf-venieri.com www.vf-venieri.com
Spare parts
Tel. +39 0545 904429 Fax +39 0545 24555