

SRC600T

SANY Rough-Terrain Crane
60 Ton Lifting Capacity



Max. boom length: 43.5m
Max. lifting height: 62m
Max gradability: 75%



▸ Larger cross section, max. lifting moment 2300kN·m

▸ Three hinges of luffing mechanism are located for a more compact body size, optimized for on-road transport and off-road travelling.

▸ Hydraulic cylinder for jib swingaway, at offset of 0°, 15° or 30°.

▸ Bias tire size 29.5-25, specialized for driving in desert.

▸ Brevini reducer gear, quality assured, stability improved.

▸ Differential lock added to rear axle, suitable for tough terrain conditions.

▸ Adaptability is met by three different outrigger bases.



▸ 0°~20° tiltable, operate comfortably.

▸ Lightweight and corrosion resistant aluminum alloy.

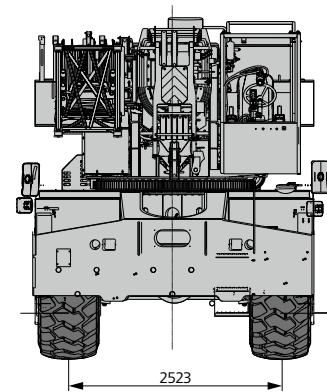
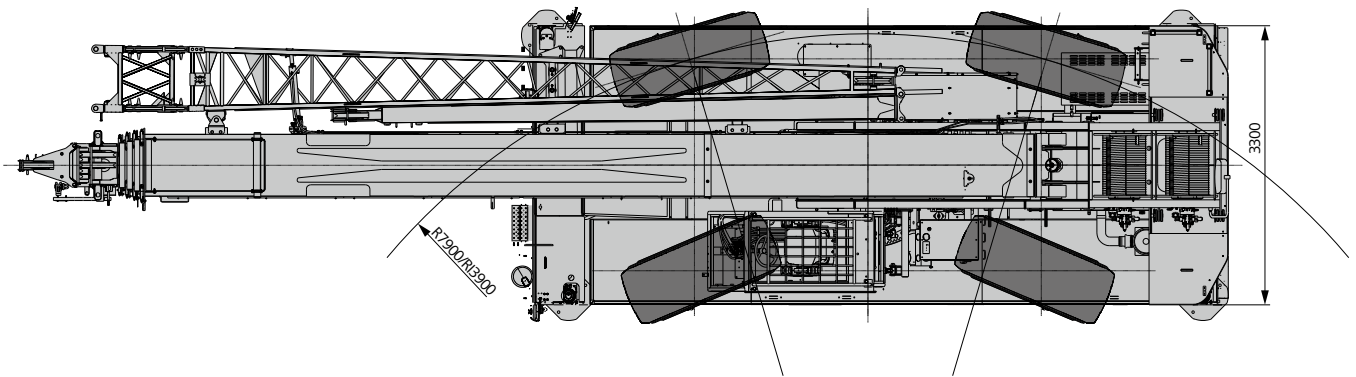
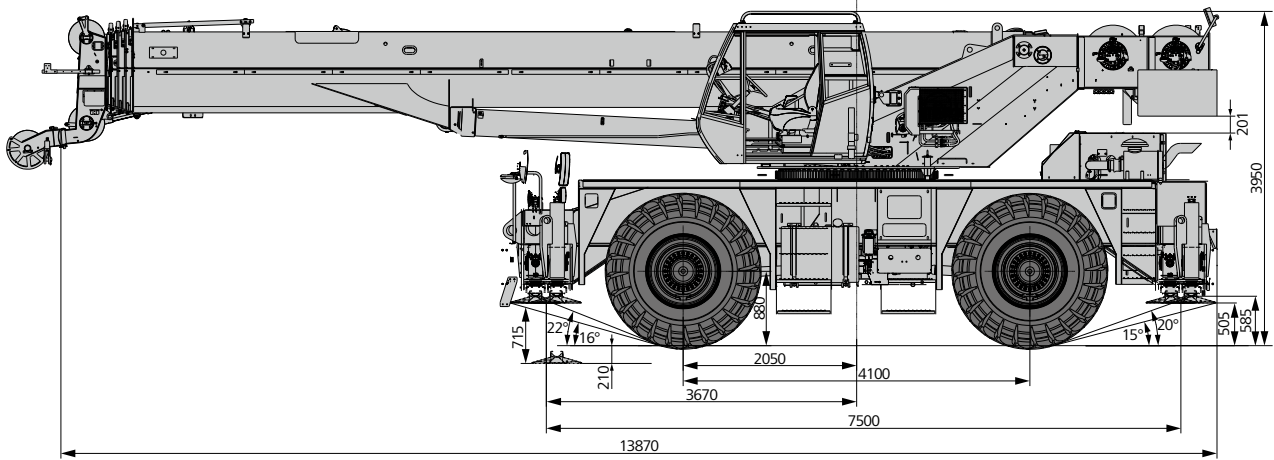
▸ Removable counterweight, disassembled for transport if needed.



▸ DF Cummins engine, powerful output.

▸ New torque converter functioning high speed locking, increasing transmission efficiency at high speed traveling. Electrical transmission features smooth gear shift.

Overall Dimensions



Technical Parameters

Category	Item	Unit	Value	
Capacity	Max. lifting capacity	t	60	
Weight	Gross weight	kg	45000	
Power	Engine model (Emission standard)	-	DF Cummins QSB6.7 C260 31 (Tier 3)	
	Max. engine power	kW/rpm	194/2400	
	Max. engine torque	N·m/rpm	990/1500	
Dimensions	Overall length	mm	13870	
	Overall width	mm	3300	
	Overall height	mm	3810	
	Axle base	mm	4100	
Travel	Max.travel speed	km/h	40	
	Min.steering radius	m	13.9/7.9	
	Wheel formula	-	4×4	
	Min.ground clearance	mm	530	
	Approach angle	°	20	
	Departure angle	°	18	
	Max.gradeability	%	75	
	Fuel consumption per 100km	L	≤115	
Main Performance	Working temperature range	°C	-20 ~ +46	
	Min.rated lifting radius	m	3	
	Tail slewing radius	m	4.4	
	Boom sections (Qty.)	-	5	
	Boom shape	-	U shape	
	Max.lifting moment	Basic boom	kN·m	2300
		Full-extension boom	kN·m	1150
		Full-extension boom+jib	kN·m	530
	Boom length	Basic boom	m	11.3
		Full-extension boom	m	43.5
		Full-extension boom+jib	m	59.5
	Max.lifting height	Basic boom	m	13.8
		Full-extension boom	m	46
Full-extension boom+jib		m	62	
Outrigger span (Longitudinal×Transverse)	m	7.5×7.4		
Jib offset	°	0 , 15 , 30		
Airconditioner	In operator's cab	-	Heating & cooling	

Technical Parameters



Axle Load

Axle	1	2	Gross weight
Load per axle /t	23.13	21.77	44.9
Remark	Boom angle remains 30°.		



Hook

Rated load/t	Number of sheaves	Rope rate	Hook weight /kg
60	5	10	690
8	1	1	160



Operations

Item	Parameter	Rope diameter/length	Max. single line pull
Main winch	Single rope speed: 155m/min	230m	78.8kN
Auxiliary winch	Single rope speed: 155m/min	135m	78.8kN
Slewing		2.5r/min	
Luffing		55s/75s	
Telescoping		95s/110s	
Outrigger jack	Retract	35s	
	Extend	30s	
Outrigger beam	Retract	20s	
	Extend	24s	

Crane Introduction

Engine

- Model: QSB6.7 C260 31
- Type: six cylinder, direct injection diesel, 4 cycle, turbo charged and after cooled.
- Rated Power: 194kW/2400r/min
- Emission standard: Tier 3
- Fuel reservoir capacity: 350L.

Transmission

- DANA automatic gearbox, Power shift with 6 forward and 6 reverse speeds (3 speeds high and 3 speed low). Front axle disconnect for 4x2 travel.

Axles

- Front Axle: Drive/steer with differential and planetary reduction, service and parking brake.
- Rear Axle: Drive/steer axle with differential and planetary reduction, service brake.

Suspension

- Front Suspension: Rigid mounted to frame.
- Rear Suspension: Pivot mounted with hydraulic lockout device.

Tires

- Model: 29.5-25.

Brake System

- System Type: Full hydraulic double-circuit brake system and all wheel brake.
- Brake Model: Service brake (all wheels) and parking brake (front wheels).

Steering System

- System Type: Full hydraulic independent power steering.
- Steering Model: front wheel steer, rear wheel steer, all wheel steer and crab steer.

Outrigger System

- Outrigger Type: Hydraulic telescoping one-stage H type outrigger.
- Outrigger Span: 7.4m×7.5m (Full extension), 5.2m×7.5m (Half extension), 3.08m×7.5m (Full retraction).

Cab

- The self-made full-vision anti-corrosion steel cab, equipped with 10.4" touch screen, air-suspension seat, multi-functional steering wheel, and HVAC.

Boom System

- Main Boom: 11.3m~43.5m five-section U-shaped boom, maximum tip height 46m.
- Jib: 9.2m & 16m two stage bi-fold lattice type with 0°, 15°, 30°, maximum tip height 62m.

Elevation

- One double-acting hydraulic cylinder with integral holding valve, boom angle -2°~80°.

Hoist

- Main Hoist: Planetary reduction with variable motor, motor high/low speed control. Hoist speed feedback, maximum single line speed 155m/min, rope diameter 20mm, length 230m.
- Auxiliary Hoist: Planetary reduction with variable motor, motor high/low speed control. Hoist speed feedback, maximum single line speed 155m/min, rope diameter 20mm, length 135m.
- Hook: 60t main hook with 5 sheaves, weight is 690kg. 8t auxiliary hook, weight is 160kg.

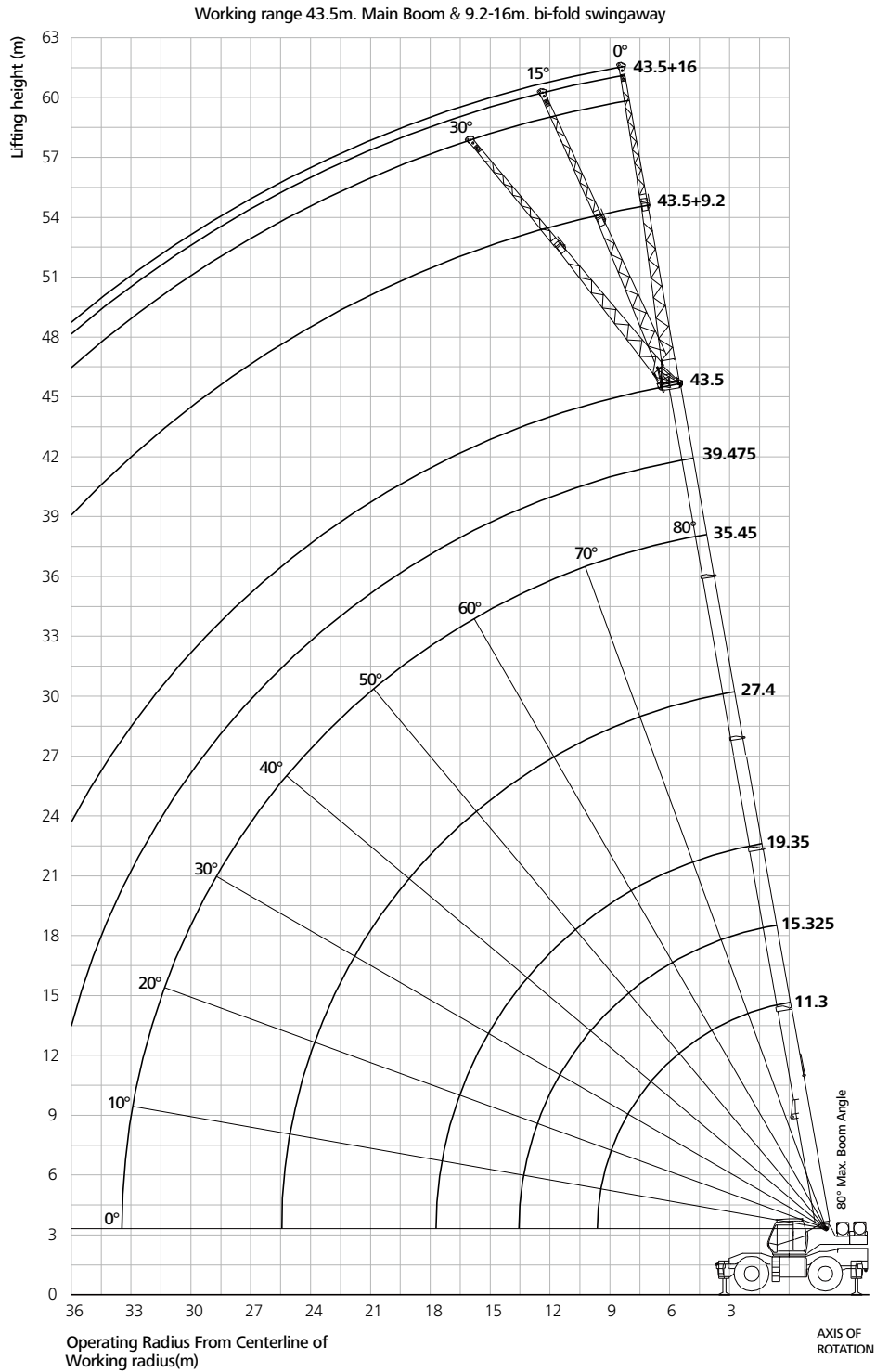
Slewing

- 360° slewing, Maximum speed: 2.5r/min. Hydraulic controlled proportional speed adjustment is applied, providing stable and reliable operation of the system. Unique slewing buffer design ensures more stable braking operation.

Optional equipment at extra fees

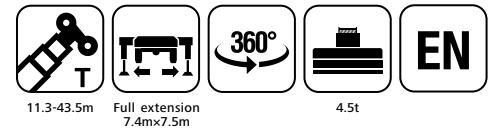
- Aerometer
- Tri-color warning light
- Reversing radar
- Fire extinguisher
- Customized painting
- Other equipment available upon request.

Operating Range - On Outriggers



Load Chart - Telescopic Boom

Unit: kg



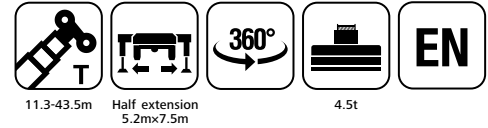
Radius (m)	11.3m	15.3m	19.4m	19.4m	23.4m	23.4m	27.4m	27.4m	31.4m	31.4m	35.5m	35.5m	39.5m	43.5m	Radius (m)
3	60000	45000	35000	22000											3
3.5	59000	45000	35000	22000	25000	20000									3.5
4	56000	45000	35000	22000	25000	20000	22000	17050							4
4.5	52800	43000	33000	22000	25000	20000	22000	17050	17500	15000					4.5
5	46000	41000	32000	22000	24500	20000	22000	17050	17500	15000					5
5.5	41000	38000	32000	22000	24000	20000	21500	17050	17500	15000	15500	11000			5.5
6	37000	34700	32000	22000	23800	19500	20500	17050	17500	14500	14500	11000			6
6.5	34000	32000	30500	22000	22300	19000	19800	16300	17500	14000	14000	11000	12500		6.5
7	31000	30000	29000	22000	21500	18500	18800	15700	17500	13500	14000	11000	12000	9500	7
7.5	29000	29000	28000	22000	21000	18000	18000	15000	17500	13000	13000	11000	11500	9500	7.5
8	27000	28000	26000	22000	20000	17500	17200	14500	16500	12500	12500	11000	11000	9500	8
8.5	23000	24000	22750	21850	19000	17250	16850	14000	15750	12250	12250	10650	10750	9500	8.5
9		20000	19500	21700	18000	17000	16000	13500	15000	12000	12000	10300	10500	9300	9
10		16000	15950	17800	16000	12500	15000	12500	13500	11000	11500	9600	10000	9000	10
12		10900	10850	12800	12000	12000	11800	10700	11000	10000	10000	8600	9000	8300	12
14			7650	9800	8500	9500	8800	9120	8600	8350	8500	7800	8000	8000	14
16			5270	7500	6000	7800	6700	8050	6900	7200	7100	6750	7300	7350	16
18					4500	6400	5100	6550	5600	6200	5700	6050	6000	5800	18
20					3400	5300	3900	5350	4350	5200	4500	5250	4800	4700	20
22							2900	4450	3250	4400	3550	4550	3700	3800	22
24							2100	3650	2420	3600	2800	3750	2900	3100	24
26									1850	3100	2150	3250	2300	2500	26
28									1340	2600	1600	2750	1800	2000	28
30											1100	2350	1450	1550	30
32											670	1950	1000	1150	32
34												670	750		34

Telescoping status (%)

2nd boom	0%	50%	100%	0%	100%	0%	100%	0%	100%	0%	100%	0%	100%	100%	2nd boom
3rd boom	0%	0%	0%	33%	17%	50%	33%	66%	50%	84%	66%	100%	84%	100%	3rd boom
4th boom	0%	0%	0%	33%	17%	50%	33%	66%	50%	84%	66%	100%	84%	100%	4th boom
5th boom	0%	0%	0%	33%	17%	50%	33%	66%	50%	84%	66%	100%	84%	100%	5th boom
Min. boom angle	0	0	0	0	0	0	0	0	0	0	0	0	22	32	Min. boom angle
Rope rate	10	10	8	8	6	6	4	4	4	4	4	4	4	3	Rope rate
Load at 0° boom angle	10000	4500	3000	4500	1500	2500	1300	2200	500	700	300	600	\	0	Load at 0° boom angle

Load Chart - Telescopic Boom

Unit: kg



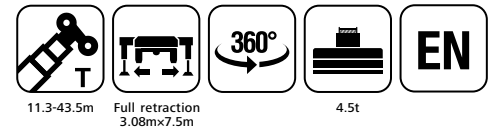
Radius (m)	11.3m	15.3m	19.4m	19.4m	23.4m	23.4m	27.4m	27.4m	31.4m	31.4m	35.5m	35.5m	39.5m	43.5m	Radius (m)
3	55000	45000	35000	22000											3
3.5	50000	41000	32500	21000	25000	20000									3.5
4	44400	37000	30500	19800	24000	19000	22500	18500							4
4.5	38000	33500	29000	18800	22500	18000	21500	17200	17500	15000					4.5
5	32000	30000	26500	17500	21500	16500	20800	15000	17200	14000					5
5.5	27000	25500	23500	16200	20800	15000	20400	13800	17000	12800	15000	12500			5.5
6	22500	21500	20000	15000	20000	14200	19800	13200	16500	12500	14500	12200	12500		6
6.5	19000	18000	17500	14200	18000	13500	18000	12800	15800	12300	14000	12000	12500		6.5
7	16000	15500	15200	13500	15400	13000	15500	12400	14800	12000	14000	11800	12500	9500	7
7.5	14000	13800	13500	13000	13500	12500	13800	12000	13500	11800	13000	11500	12000	9500	7.5
8	12000	12000	12000	12400	12200	12000	12500	11500	12200	11200	12000	11000	11500	9300	8
8.5	9500	10750	10800	11800	11000	11500	11250	11050	11100	10800	11000	10600	10550	9150	8.5
9		9500	9600	11200	9800	11000	10000	10600	10000	10400	10000	10200	9600	9000	9
10		7400	7600	9700	7800	9500	8000	9200	8300	9200	8500	9000	8200	8300	10
12		5000	5000	7200	5300	7000	5400	6800	5500	6700	5600	6600	5800	6300	12
14			3300	5400	3700	5300	3900	5200	4000	5000	4100	4800	4300	4600	14
16			1900	3800	2500	3700	2800	3700	2900	3500	3000	3500	3200	3400	16
18					1700	2700	2000	2800	2100	2800	2200	2800	2400	2600	18
20					900	2100	1500	2100	1500	2200	1700	2200	1900	2000	20
22							900	1400	900	1800	1100	1800	1400	1500	22
24										1400	700	1400	1000	1100	24
26												1100			26

Telescoping status (%)

2nd boom	0%	50%	100%	0%	100%	0%	100%	0%	100%	0%	100%	0%	100%	100%	2nd boom
3rd boom	0%	0%	0%	33%	17%	50%	33%	66%	50%	84%	66%	100%	84%	100%	3rd boom
4th boom	0%	0%	0%	33%	17%	50%	33%	66%	50%	84%	66%	100%	84%	100%	4th boom
5th boom	0%	0%	0%	33%	17%	50%	33%	66%	50%	84%	66%	100%	84%	100%	5th boom
Min. boom angle	0	0	22	22	25	25	28	28	40	34	40	36	48	52	Min. boom angle
Rope rate	10	10	8	6	6	6	4	4	4	4	4	4	4	3	Rope rate
Load at 0° boom angle	5000	2000	/	/	/	/	/	/	/	/	/	/	/	/	Load at 0° boom angle

Load Chart - Telescopic Boom

Unit: kg



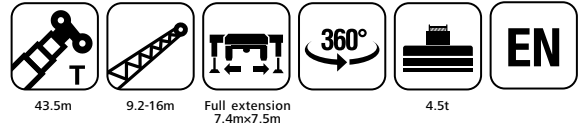
Radius (m)	11.3	15.3	19.4	19.4	23.4	23.4	27.4	27.4	31.4	31.4	35.5	35.5	39.5	43.5	Radius (m)
3	30000	30000	25000	22000											3
3.5	24800	24000	23500	20500	20000	20000									3.5
4	18800	18000	17500	18000	17000	17800	16500	17500							4
4.5	15200	14500	13500	15500	14000	15500	14000	15200	14000	15000					4.5
5	12900	12000	11400	13500	11800	13500	12000	13200	12000	13000					5
5.5	11200	10500	10000	11500	10200	11500	10500	11500	10800	11200	10500	11000			5.5
6	9800	9000	8500	10200	9000	10200	9200	10200	9500	10000	9200	9800	9200		6
6.5	8600	8000	7500	8800	7800	8900	8000	9000	8200	9000	8200	9000	8400		6.5
7	7600	7000	6500	7800	7000	7900	7200	8000	7300	8000	7300	8000	7600	7400	7
7.5	6600	6000	5600	7000	6200	7100	6500	7200	6500	7200	6500	7200	6700	6500	7.5
8	5700	5200	5000	6000	5200	6100	5500	6200	5600	6200	5600	6200	5800	5700	8
8.5	5000	4500	4400	5350	4700	5500	5000	5600	5050	5600	5050	5600	5250	5050	8.5
9	4000	3800	3800	4700	4200	4900	4500	5000	4500	5000	4500	5000	4700	4400	9
10		2800	2500	3600	3000	3800	3200	3900	3200	4000	3200	4000	3500	3400	10
12		1100	1000	2400	1600	2600	2000	2700	2000	2800	2200	2800	2500	2400	12
14				1600	800	1800	1100	1900	1100	2000	1400	2000	1800	1700	14
16						1200		1300		1250	900	1400	1300	1200	16
18										1000		1000	900	700	18

Telescoping status (%)

2nd boom	0%	50%	100%	0%	100%	0%	100%	0%	100%	0%	100%	0%	50%	100%	2nd boom
3rd boom	0%	0%	0%	33%	17%	50%	33%	66%	50%	84%	66%	100%	100%	100%	3rd boom
4th boom	0%	0%	0%	33%	17%	50%	33%	66%	50%	84%	66%	100%	100%	100%	4th boom
5th boom	0%	0%	0%	33%	17%	50%	33%	66%	50%	84%	66%	100%	100%	100%	5th boom
Min. boom angle	0	20	45	30	45	40	52	45	55	50	58	53	59	62	Min. boom angle
Rope rate	8	8	6	6	6	6	4	4	4	4	4	4	3	3	Rope rate
Load at 0° boom angle	3000	/	/	/	/	/	/	/	/	/	/	/	/	/	Load at 0° boom angle

Load Chart - Jib

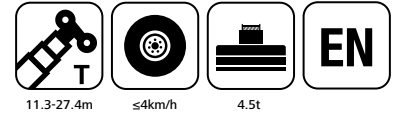
Unit: kg



Boom angle	43.5m+9.2m			43.5m+16m			Boom angle
	0°	15°	30°	0°	15°	30°	
80	4500	2700	2400	2600	1500	1100	80
78	4500	2700	2400	2600	1500	1100	78
76	4000	2500	2300	2400	1400	1100	76
74	3750	2400	2250	2200	1300	1100	74
72	3500	2300	2150	2000	1200	1000	72
70	3000	2200	2050	1800	1150	1000	70
68	2700	2100	1950	1600	1100	950	68
66	2500	2000	1850	1500	1050	900	66
64	2200	1800	1750	1450	1000	850	64
62	2000	1650	1500	1300	950	800	62
60	1700	1450	1200	1100	850	750	60
58	1200	1000	850	900	750	650	58
56	1000	850	750	800	650	600	56
54	800	700	600	700	600	500	54
52	700	600	550	600	500	400	52
50	600	550	500	450	350	300	50
Min. boom angle	50°	50°	50°	50°	50°	50°	Min. boom angle

Load Chart - Pick and Carry, Load Over Front

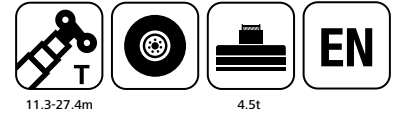
Unit: kg



Radius (m)	11.3m	15.3m	19.4m	23.4m	27.4m	Radius (m)
3	18100	14100	9000			3
3.5	16000	14100	8000	10000		3.5
4	14300	14100	7000	10000	8500	4
4.5	12850	12650	7200	10000	8500	4.5
5	11600	11400	6500	10000	8500	5
5.5	10500	10300	6000	9000	8000	5.5
6	9200	9350	5300	9000	7500	6
6.5	8000	8400	4800	9000	7000	6.5
7	7000	7500	4200	8000	6500	7
7.5	6000	6600	3800	7800	6000	7.5
8	5300	5800	4500	7000	5500	8
8.5	4650	5400	4000	6200	5000	8.5
9	4000	5000	3500	5500	4500	9
10		4000	3000	4500	4000	10
11			2500	3800	3300	11
12				2800	2800	12
14				1800		14
Telescoping status (%)						
1st cylinder	0%	0%	0%	0%	0%	1st cylinder
2nd cylinder	0%	17%	33%	50%	67%	2nd cylinder
Rope rate	6	6	6	6	6	Rope rate

Load Chart - Telescopic Boom On Tires Stationary, Load Over Front

Unit: kg



Radius (m)	11.3m	15.3m	19.4m	23.4m	27.4m	Radius (m)
3	20000	16000	15000			3
3.5	20000	16000	15000	11000		3.5
4	20000	16000	14000	11000	10000	4
4.5	17500	15000	13000	11000	10000	4.5
5	14500	13000	12000	11000	10000	5
5.5	12000	11000	11000	10000	10000	5.5
6	10300	10000	10000	9500	9500	6
6.5	9100	9000	8800	9000	9200	6.5
7	7800	7900	8000	8000	8000	7
7.5	6800	6900	7000	7200	7500	7.5
8	6000	6000	6000	6500	7100	8
8.5	5200	5000	5000	6000	6300	8.5
9	4500	4500	4000	5000	5500	9
10		3500	3000	4000	4200	10
11			2000	3300	3800	11
12			1000	2800	3000	12
14				1800	2000	14
16				1000		16
Telescoping status (%)						
1st cylinder	0%	0%	0%	0%	0%	1st cylinder
2nd cylinder	0%	17%	33%	50%	67%	2nd cylinder
Rope rate	6	6	6	6	6	Rope rate

Load Chart - Telescopic Boom On Tires Stationary

Unit: kg



Radius (m)	11.3m	15.3m	19.4m	23.4m	27.4m	Radius (m)
3	12000	10500	10000			3
3.5	12000	10500	10000			3.5
4	10000	10000	9000	8000		4
4.5	8600	8000	8000	6500	5500	4.5
5	7000	6500	6000	5700	5500	5
5.5	5800	4800	4500	5000	5500	5.5
6	4300	3000	3000	4000	5500	6
6.5	3000	2500	2500	3000	3500	6.5
7	2500	2000	2000	2500	3000	7
7.5	2000	1500	1500	1700	2000	7.5
8	1500	1500	1500	1700	2000	8
8.5		1000	1000	1200	1500	8.5
9					1000	9
Telescoping status (%)						
1st cylinder	0%	0%	0%	0%	0%	1st cylinder
2nd cylinder	0%	17%	33%	50%	67%	2nd cylinder
Rope rate	6	6	6	6	6	Rope rate



SANY GROUP CRANE BU

SANY Mobile Crane Industrial Park, No.168 Jinzhou Avenue, Jinzhou Development Zone, Changsha City, Hunan Province, P.R. China Zip 410600

Consulting sanycrane@sanygroup.com (Crane BU) / crd@sany.com.cn (IHQ)

After-sales Service 0086-400 6098 318

Reminder:

Any change in the technical parameters and configuration due to product modification or upgrade may occur without prior notice. The machine in the picture may include additional equipment. This brochure is for reference only, and goods in kind shall prevail.

Copyright at SANY. No part of this brochure may be copied or used for any purpose without written approval from SANY.

© Edited in August 2021

