



Full Model Change

Vi030-7/Vi035-7

[Gross]18.9kW<25.3hp>



Faster & more powerful

Travel performance	Higher travel speed	Higher uphill speed
	4.8km/h ^{*1 *2} *Rubber track	Vi035-7 ^{*2} Up to 25% faster
Workability	Dig cycle time	Higher turning torque
	7%UP ^{*1 *2}	Vi030-7 ^{*1} 43%UP Vi035-7 ^{*2} 10%UP

Compact body for high efficiency

<p>Compact design</p> <p>Right: 52° ^{*1 *2} (-8°) 1550mm [Vi030-7]</p> <p>Left: 71° ^{*1 *2} (+28°UP) 1550mm</p>	<p>Minimum front turning radius</p> <p>Vi030-7 1630 mm (210 mm smaller)</p> <p>Vi035-7 1610 mm (200 mm smaller)</p>
---	---

Bucket-blade clearance

Vi030-7 75 mm (-105 mm narrower) ^{*1}	Vi035-7 -5 mm (-85 mm narrower) ^{*2}
--	---

Dump truck height

Vi030-7 1500 mm (40 mm UP) ^{*1}	Vi035-7 1630 mm (30 mm UP) ^{*2}
---	---

Designed for even better work efficiency and safety

Double Lock Quick Coupler [OPTION]

- Double lock enhances safety, [ISO13031]
- No tool required.
- Control from operator's seat.

ONLY 3 STEP

Disconnecting	Connecting
<p>1. Lower the bucket.</p>	<p>1. Latch the fixed hook.</p>
<p>2. Press the "Unlock" switch.</p>	<p>2. Curl the bucket.</p>
<p>3. Raise the arm.</p>	<p>3. Press the "Lock" switch.</p>

Swap attachments in under a minute.

Connect a wide variety of attachments

Improved cabin visibility

Improved upward visibility

Improved downward visibility

4.3-inch color LCD monitor

- Key passcode helps prevent theft.
- Choose from five hydraulic fluid flow rates for each attachment.

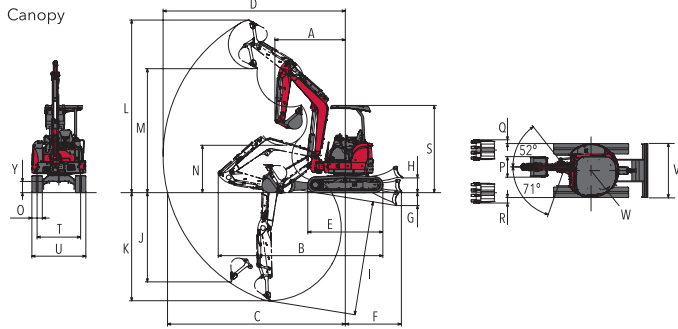
*1: Compared to the Vi030-6 (based on Yanmar measurement methods) *2: Compared to the Vi035-6 (based on Yanmar measurement methods)

● Dimensions

ViO30-7

ViO35-7

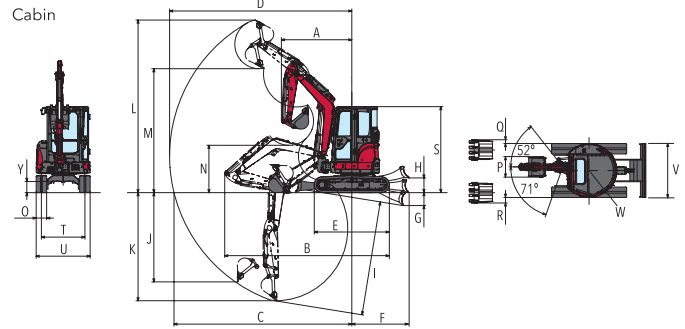
Canopy



ViO30-7

ViO35-7

Cabin



Rubber track specification
The data of canopy and cabin spec are the same.
Unit: mm (in.)

		A <at boom swing>	B	C	D	E	F	G	H	I	J	K	L	M	N	O	P	Q	R	S	T	U	V	W	Y
ViO30-7	With quick coupler	2240 (88.2) <1790 (70.5)>	4480 (176.4)	4920 (193.7)	5060 (199.2)	2160 (85.0)	1530 (60.2)	325 (12.8)	375 (14.8)	3090 (121.7)	2260 (89.0)	2950 (116.1)	4790 (188.6)	3020 (118.9)	1130 (44.5)	300 (11.8)	530 (20.9)	240 (9.4)	0 (0)	2460 (96.9)	1250 (49.2)	1550 (61.0)	1550 (61.0)	775 (30.5)	320 (12.6)
	Without quick coupler	2070 (81.5) <1630 (64.2)>	4410 (173.6)	4730 (186.2)	4880 (192.1)		1680 (66.1)	370 (14.6)	425 (16.7)	3430 (135.0)	2530 (99.6)	3250 (128.0)	5180 (203.9)	3410 (134.2)	1260 (49.6)		600 (23.6)	180 (7.1)	-55 (-2.2)	2460 (96.9)	1440 (56.7)	1740 (68.5)	1740 (68.5)	870 (34.3)	
ViO35-7	With quick coupler	2210 (87.0) <1760 (69.3)>	4720 (185.8)	5300 (208.7)	5430 (213.8)	2160 (85.0)	1680 (66.1)	370 (14.6)	425 (16.7)	3430 (135.0)	2530 (99.6)	3250 (128.0)	4980 (196.0)	3590 (141.3)	1390 (54.7)	300 (11.8)	600 (23.6)	180 (7.1)	-55 (-2.2)	2460 (96.9)	1440 (56.7)	1740 (68.5)	1740 (68.5)	870 (34.3)	320 (12.6)
	Without quick coupler	2040 (80.3) <1610 (63.4)>	4660 (183.5)	5110 (201.2)	5250 (206.7)		1680 (66.1)	370 (14.6)	425 (16.7)	3430 (135.0)	2530 (99.6)	3250 (128.0)	4980 (196.0)	3590 (141.3)	1390 (54.7)		600 (23.6)	180 (7.1)	-55 (-2.2)	2460 (96.9)	1440 (56.7)	1740 (68.5)	1740 (68.5)	870 (34.3)	

● Specifications

MODEL		ViO30-7				ViO35-7						
TYPE		With quick coupler		Without quick coupler		With quick coupler		Without quick coupler				
		Canopy	Cabin	Canopy	Cabin	Canopy	Cabin	Canopy	Cabin			
WEIGHT	Operating weight	Rubber track	kg (lbs.)	3165 (6978)	3320 (7319)	3115 (6867)	3270 (7209)	3485 (7683)	3640 (8025)	3435 (7573)	3590 (7915)	
		Steel track	kg (lbs.)	3275 (7220)	3430 (7562)	3225 (7110)	3380 (7452)	3595 (7926)	3750 (8267)	3545 (7815)	3700 (8157)	
ENGINE	Type	Vertical 3-cylinder water-cooled direct injection diesel engine										
	Model	3TNV88-ESBV2										
	Rated output, gross	kW (HP) / rpm		18.9 (25.3) / 2200								
BUCKET	Capacity, standard	cu.m (cu.ft)		0.09 (3.18)				0.11 (3.88)				
	Width, standard	mm (in.)		530 (20.9)				600 (23.6)				
PERFORMANCE	Max. digging force	Bucket	kN (lbf.)	22.7 (5103)		30.0 (6744)		24.4 (5485)		32.1 (7216)		
		Arm	kN (lbf.)	16.4 (3687)		18.2 (4092)		18.5 (4159)		20.3 (4564)		
	Max. digging depth	mm (in.)		2950 (116.1)		2770 (109.1)		3250 (128.0)		3070 (120.9)		
		<at the blade down>		<3090 (121.7)>		<2910 (114.6)>		<3430 (135.0)>		<3250 (128.0)>		
	Max. vertical wall digging depth	mm (in.)		2260 (89.0)		2230 (87.8)		2530 (99.6)		2510 (98.8)		
	Max. cutting height	mm (in.)		4790 (188.6)		4590 (180.7)		5180 (203.9)		4980 (196.0)		
	Max. dumping height	mm (in.)		3020 (118.9)		3200 (126.0)		3410 (134.2)		3590 (141.3)		
	Max. digging radius of the ground	mm (in.)		4920 (193.7)		4730 (186.2)		5300 (208.7)		5110 (201.2)		
	Front min. swing radius	mm (in.)		2240 (88.2)		2070 (81.5)		2210 (87.0)		2040 (80.3)		
	<at swinging the boom>		<1790 (70.5)>		<1630 (64.2)>		<1760 (69.3)>		<1610 (63.4)>			
Boom swing angle: left / right		degrees		71 / 52								
SPEED	Travel speed:	Rubber track	km/h (mph)	4.8 (3.0) / 2.9 (1.8)								
		Steel track	km/h (mph)	4.4 (2.7) / 2.7 (1.7)								
	Swing speed	rpm	9.4				9.4					
GROUND PRESSURE	With standard track	Rubber track	kPa (PSI)	27.7 (4.02)	29.1 (4.22)	27.3 (3.96)	28.6 (4.15)	30.5 (4.42)	31.9 (4.63)	30.1 (4.37)	31.4 (4.55)	
		Steel track	kPa (PSI)	28.8 (4.18)	30.2 (4.38)	28.4 (4.12)	29.8 (4.32)	31.7 (4.60)	33.0 (4.79)	31.2 (4.53)	32.6 (4.73)	
TANK	Fuel tank	L (gal)		44 (11.6)								
CAPACITY	Hydraulic oil tank	L (gal)		32 (8.5)								
HYDRAULIC SYSTEM	Pump displacement	L/min (gpm)		37.4 (9.9)×2 <Variable displacement pump>				37.4 (9.9)×2 <Variable displacement pump>				
				26.8 (7.1)×1, 9.9 (2.6)×1 <Gear pump>				26.8 (7.1)×1, 9.9 (2.6)×1 <Gear pump>				
	Relief set pressure	MPa (PSI)		20.6 (2988)×2, 19.6 (2843)×1				22.1 (3205)×2, 20.6 (2988)×1				
Max. auxiliary hydraulic output	L/min (gpm)		64.2 (17.0)				64.2 (17.0)					

All data are subject to change without notice. Note that the standard equipment may vary. Consult your YANMAR dealer for confirmation.

YANMAR COMPACT EQUIPMENT



yanmar.com

TUTT BRYANT EQUIPMENT

1300 658 888

tuttbryant.com.au

TUTT BRYANT

